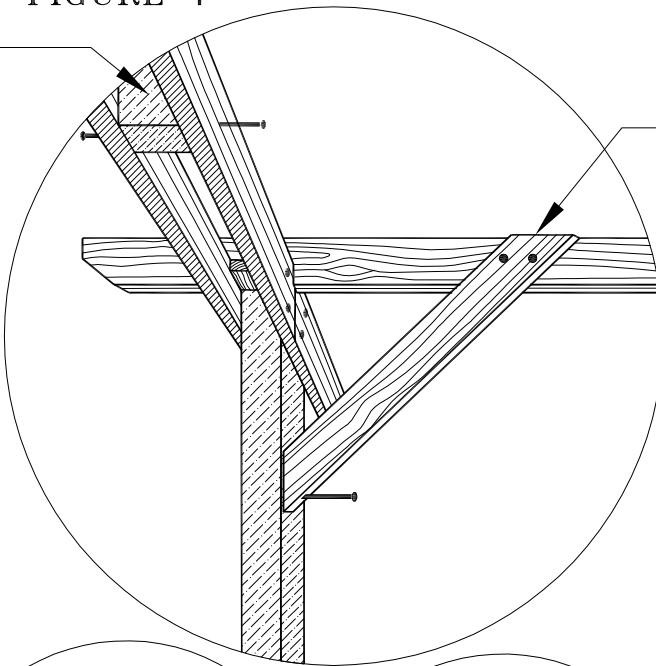


DOUBLE PERGOLA
SYSTEM

FIGURE 7

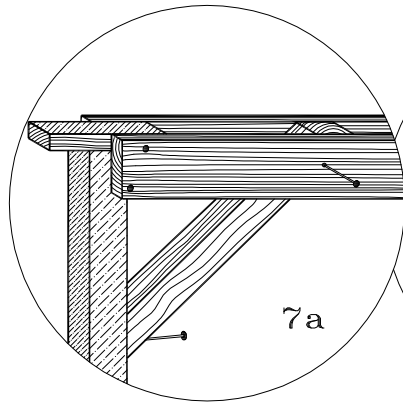
Spacer
Blocks

Fix the Spacer Blocks
in the centre of the
Side Rails half way
between each post.
Use a 3" nail through
each Side Rail.



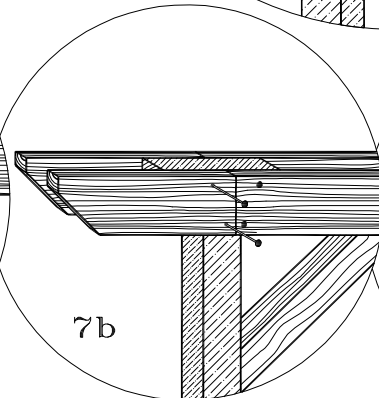
Corner
Braces

Corner Braces need to
be fixed to both the
Post and Cross
Members, so it is
important to get it in
the correct position on
the post.



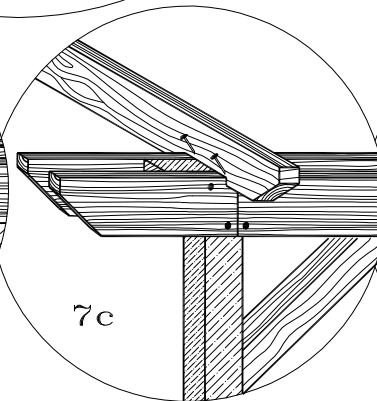
7a

In-Line Braces



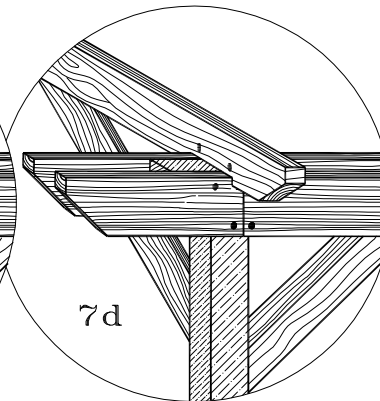
7b

Rail Ends



7c

Cross Members



7d

Corner Braces