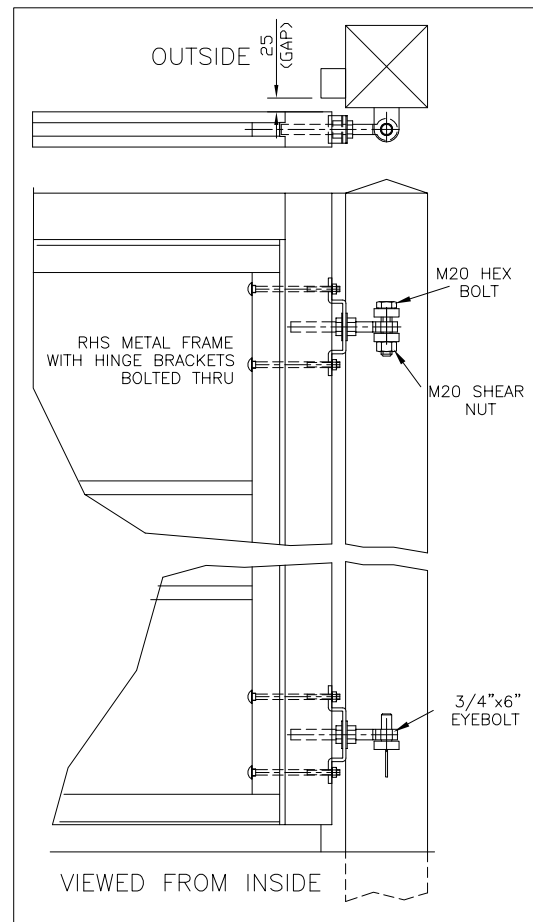
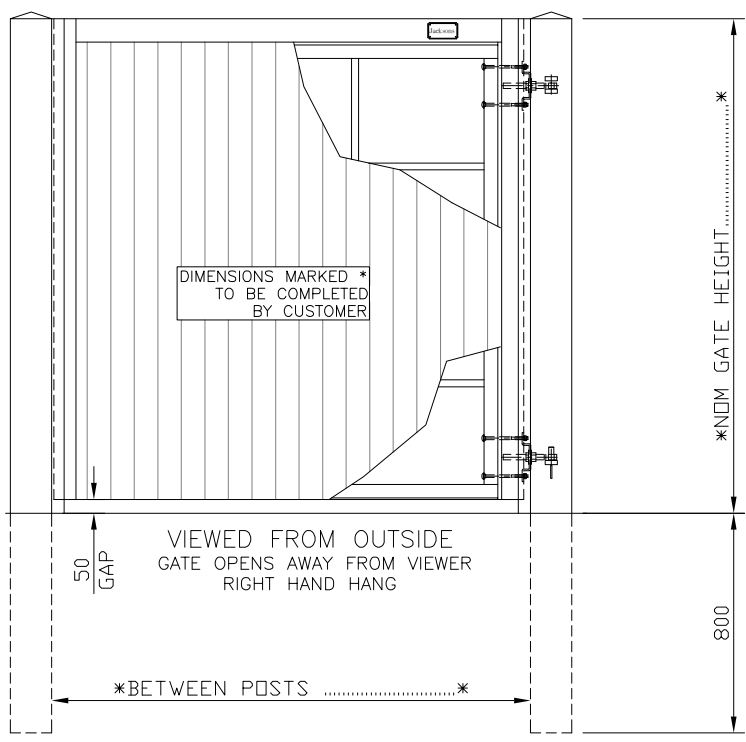
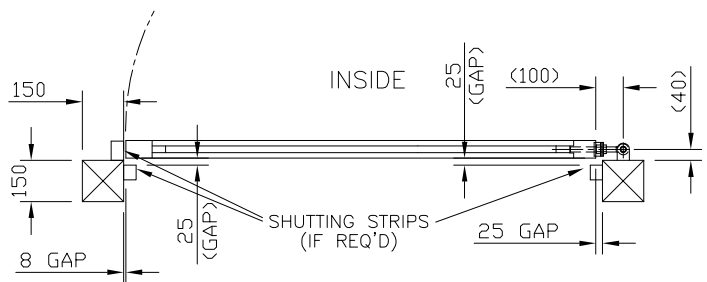
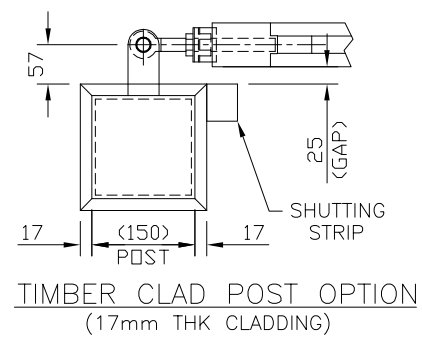


CUSTOMER NAME: \_\_\_\_\_  
 ACK No: \_\_\_\_\_  
 SALESMAN: \_\_\_\_\_  
 LEFT OR RIGHT HAND HANG: \_\_\_\_\_  
 SPECIAL INSTRUCTIONS: \_\_\_\_\_  
 \_\_\_\_\_



**NOTES.**

ALL DIMENSIONS ARE IN mm (U.N.O)  
 GAP UNDERNEATH GATES IS  
 BASED UPON THE SITE BEING LEVEL.

**Materials.**

GATE POSTS - 150 x 150 x 4 RHS

**Finish.**

GALVANISED TO BS EN ISO 1461:1999  
 TIMBER: JAKCURED

JACKSONS RESERVE THE RIGHT TO  
 CHANGE THE STANDARD DESIGN TO  
 IMPROVE THE PRODUCT AT ANY TIME

GATES CAN BE SUPPLIED  
 WITH OPTIONAL FITTINGS PACK,  
 WHICH INCLUDES:  
 RING LATCH  
 DROPBOLT + RECEIVER  
 STOP POST + CABIN HOOK

Drawn NM	Checked	12	15/12/09	S/STRIP GAP 25mm
Date 24/09/01	Size A3	11	28/11/09	Stiles Changed
	Scale	10	26/08/09	CGS NOT OAK/TXT
	NTS U.O.S			

DO NOT SCALE - IF IN DOUBT ASK

**Jacksons**  
**FINE FENCING**

Stowting Common, Near Ashford,  
 KENT. TN25 6BN  
 Telephone : 01233 750393  
 Fax: 01233 750403  
 Int. Tel : +44 (0)1233 750393

TITLE SALES DRAWING FOR RYE COURTYARD  
 GATE WITH RHS METAL POSTS

CUSTOMER \_\_\_\_\_ Drawing No. J7/02134s  
 ACK No. \_\_\_\_\_