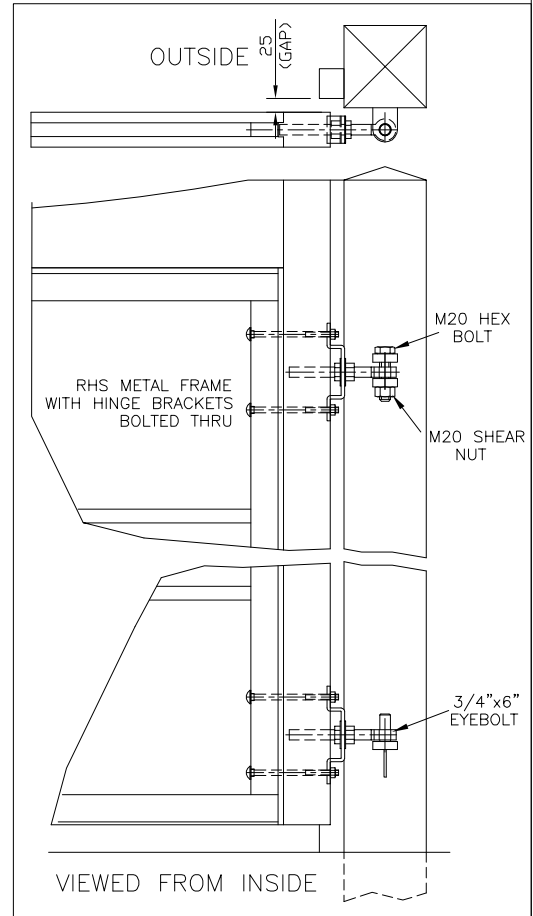
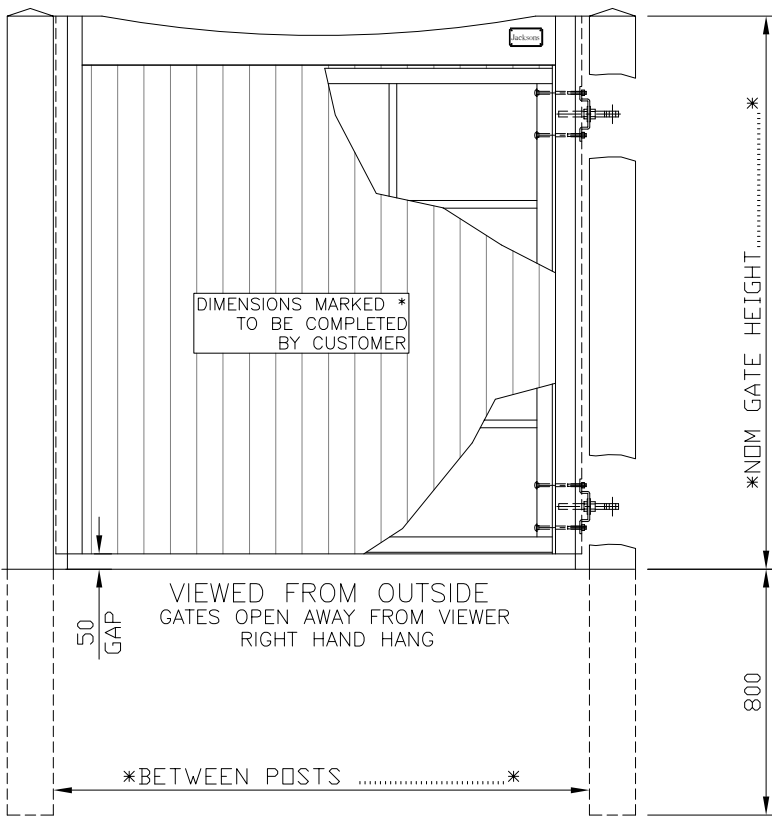
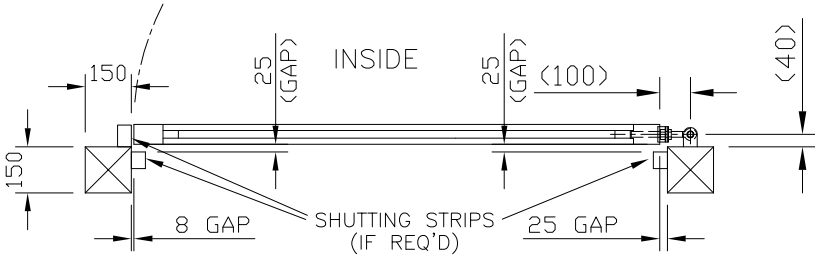
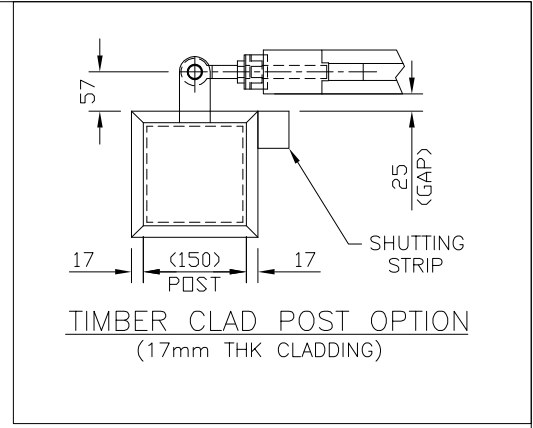


CUSTOMER NAME: _____
 ACK No: _____
 SALESMAN: _____
 LEFT OR RIGHT HAND HANG: _____
 SPECIAL INSTRUCTIONS: _____



NOTES.

ALL DIMENSIONS ARE IN mm (U.N.O)
 GAP UNDERNEATH GATES IS BASED UPON THE SITE BEING LEVEL.

Materials.

GATE POSTS - 150 x 150 x 4 RHS

Finish.

GALVANISED TO BS EN ISO 1461:1999
 TIMBER: JAKCURED

JACKSONS RESERVE THE RIGHT TO CHANGE THE STANDARD DESIGN TO IMPROVE THE PRODUCT AT ANY TIME

GATES CAN BE SUPPLIED WITH OPTIONAL FITTINGS PACK, WHICH INCLUDES:
 RING LATCH
 DROPBOLTS + RECEIVERS
 STOP POSTS + CABIN HOOKS
 CENTRE GATE STOP

Drawn	NM	Checked		17	15/12/09	S/STRIP GAP 25mm
Date	24/09/01	Size	A3	10	26/08/09	CGS NOT OAK/TXT
		Scale	NTS	9	19/01/07	BOTTOM HINGE
			U.O.S			

DO NOT SCALE - IF IN DOUBT ASK

Jacksons
FINE FENCING

Stowting Common, Near Ashford,
 KENT. TN25 6BN
 Telephone : 01233 750393
 Fax: 01233 750403
 Int. Tel : +44 (0)1233 750393

TITLE SALES DRAWING FOR SANDWICH
 COURTYARD GATE WITH STEEL POSTS

CUSTOMER _____ Drawing No. J7/02133s
 ACK No. _____