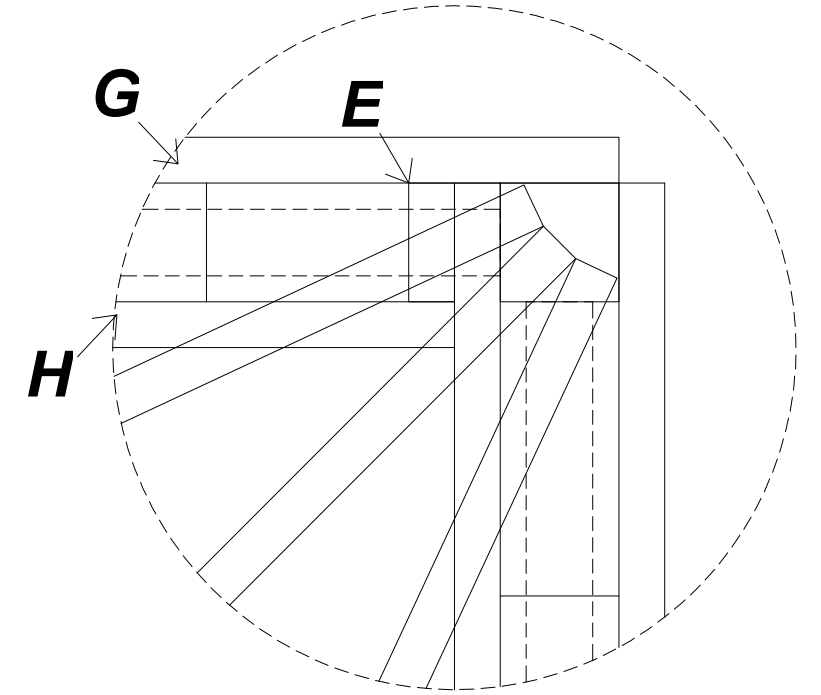
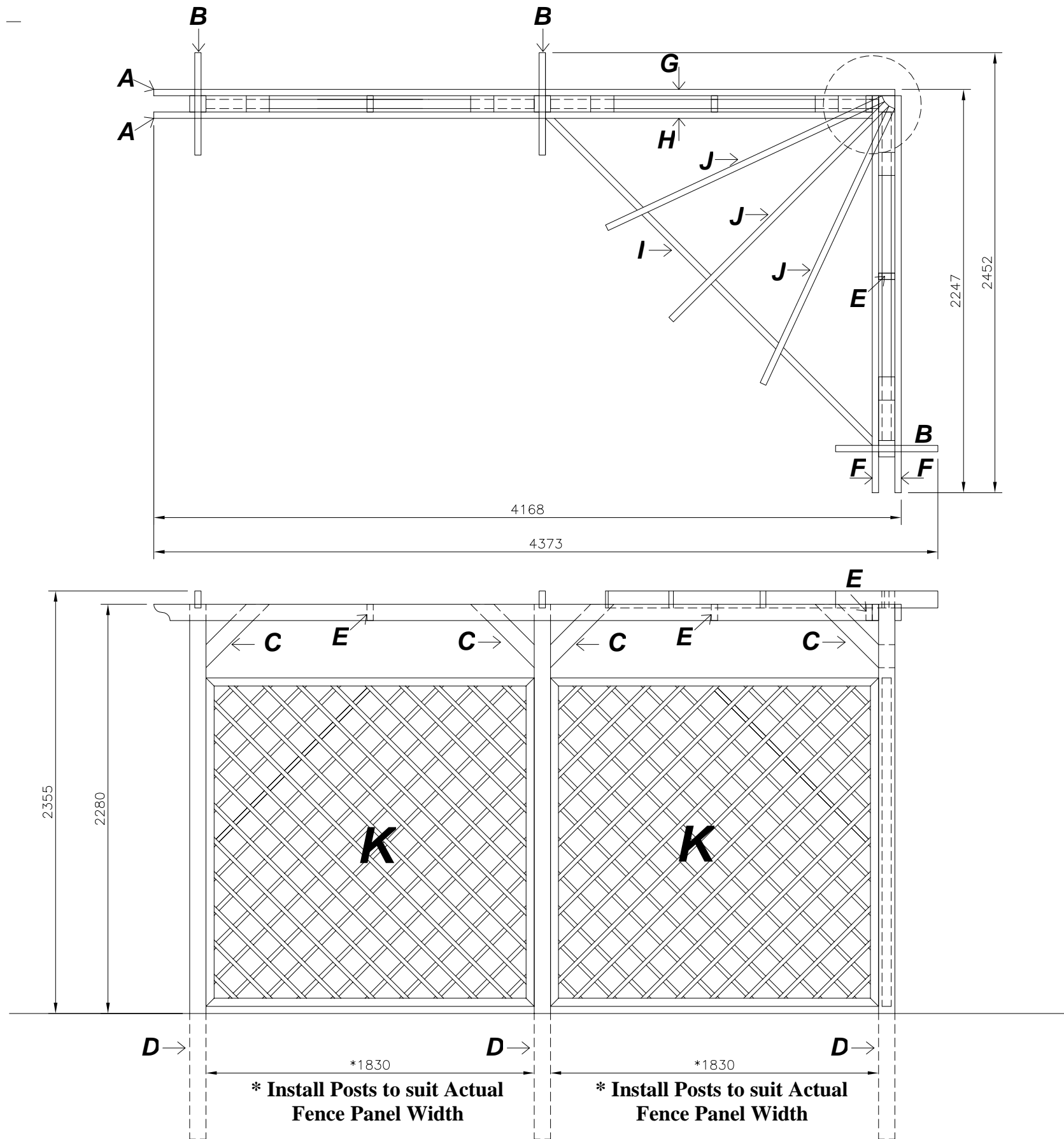


DO NOT SCALE —
IF IN DOUBT ASK



Jacksons
FINE FENCING

Stowting Common
Near Ashford,
KENT. TN25 6BN
Telephone : 01233 750393
Fax: 01233 750403
Int. Tel : +44 (0)1233 750393

This Drawing Is The Property Of H.S. Jackson & Son (Fencing) Ltd.
And May Not Be Copied Or Reproduced In Any Way Without Prior Written Permission.

01/08/2011 Original Issue

Drawn ALI
Date 01-08-2011
Checked AT
Size A4
Scale 1: U.O.S

TITLE CORNER TRELLIS PERGOLA
Page 1/2

CUSTOMER
ACK No.

Drawing No.
J7/01167

DO NOT SCALE – IF IN DOUBT ASK

BILL OF MATERIAL: CORNER TRELLIS PERGOLA			
ITEM	DESCRIPTION	QTY	CODE
A	Pergola End Side Rail 2.174m x 95mm x 35mm	2	650310
B	Pergola Cross Memembr 0.57m x 95mm x 35mm	3	650100
C	Pergola Inline Brace 0.50m x 95mm x 95mm	6	650400
D	Planed Post 2.7m x 91mm x 91mm	4	641600
E	Pergola Spacer Block 95mm x 95mm x 35mm	4	650700
F	Pergola Corner End Rail 2.22m x 95mm x 35mm	2	656900C1
G	Pergola Corner Rail 1.968m x 95mm x 35mm	1	656900C2
H	Pergola Corner Rail 1.841m x 95mm x 35mm	1	656900C3
I	Pergola Corner Rail 2.53m x 95mm x 35mm	1	656900C4
J	Pergola Corner X Member 1.7m x 95mm x 35mm	3	656900C5
K	Pergola Corner Panel 1.575m High x 1.83m Wide	3	656900C6

INSTALLATION INSTRUCTIONS:

- Please refer to the PERGOLA SYSTEMS instructions on our website <http://www.jacksons-fencing.co.uk/installation-instructions.aspx> for general pergola details.*
- Planed Posts (D)** must be installed upright with gaps to suit **1.83m panel (K)** widths. It can be helpful to fix the panels into position to ensure the gaps are correctly maintained and this will also help to hold the structure rigid while rails and braces are being fixed. Panels may be at least 3mm oversized due to swelling in treatment, so double-check panel widths before finally fixing posts, if posts are being fixed first. Ensure the tops of the panels are below the lowest point of the **in line braces (C)** to be fitted (normally around **1700mm** above ground).
- The **3 planed posts (D)** in the corners must be at 'right angles'. The main diagonal rail (**I - 2530mm long 45 degree cut at each end**) can be used to check the 'right angle' - hold it at ground level and the outer (longest) ends of the rail should touch the post a third of the way across the post, eventually allowing the **570mm crossmembers (B)** to sit centrally on the post tops.
- Refer to the sketch & Bill of Material (BOM) for the positioning of the various lengths of rails. None should have to be cut so if you encounter a problem please double-check dimensions before making any adjustments. In order to fix rails **G & H**, fix a **spacer block (E)** as shown in enlarged sketch of the corner of pergola.
- Fix **in line braces (C)** to each post. Fix 1 **spacer block (E)** between each pair of rails, at the mid-point along the rails between posts.
- Add the 3 special **cross members (J - 1.7m long)** equally spaced along the main diagonal rail, fixing diagonally down into the main rail.
- Add the **570mm cross members (B)** above the centre of each post.

Jacksons
FINE FENCING

Stowting Common
Near Ashford,
KENT. TN25 6BN
Telephone : 01233 750393
Fax: 01233 750403
Int. Tel : +44 (0)1233 750393

This Drawing Is The Property Of H.S. Jackson & Son (Fencing) Ltd.
And May Not Be Copied Or Reproduced In Any Way Without Prior Written Permission.

01/08/2011 Original Issue

Drawn ALI	TITLE	CORNER TRELLIS PERGOLA
Date 01-08-2011	Page 2/2	
Checked AT	CUSTOMER	Drawing No.
Size A4	Scale 1: U.O.S	ACK No.
		J7/01167