

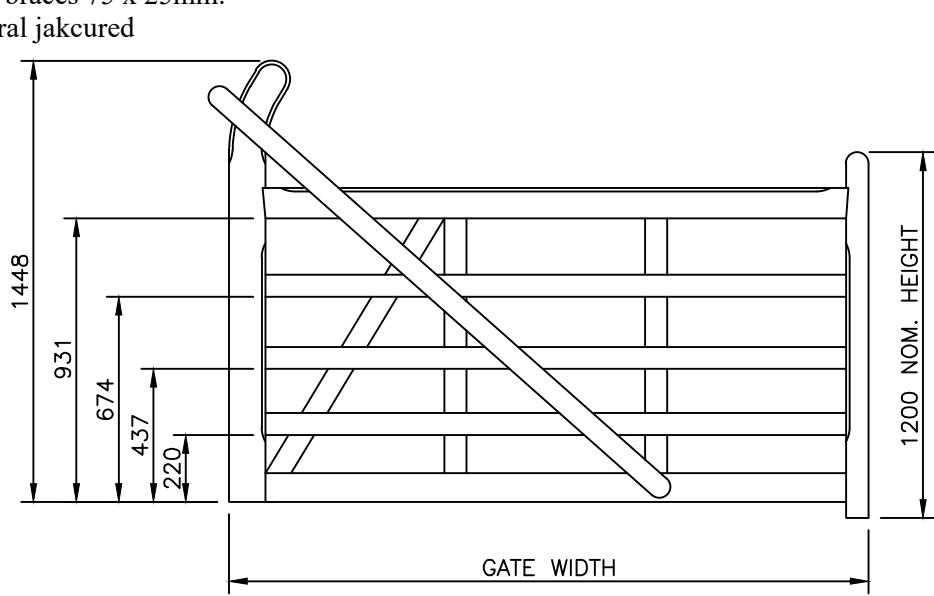
Customer Name:.....
 Sales Order No:.....
 Gate Height:.....
 Gate Width:.....
 Salesman:.....

NOTE: HINGES WILL BE FITTED AS STANDARD UNLESS INDICATED

IF FITTINGS ARE REQUIRED TO BE SUPPLIED SEPARATELY PLEASE TICK BOX.....

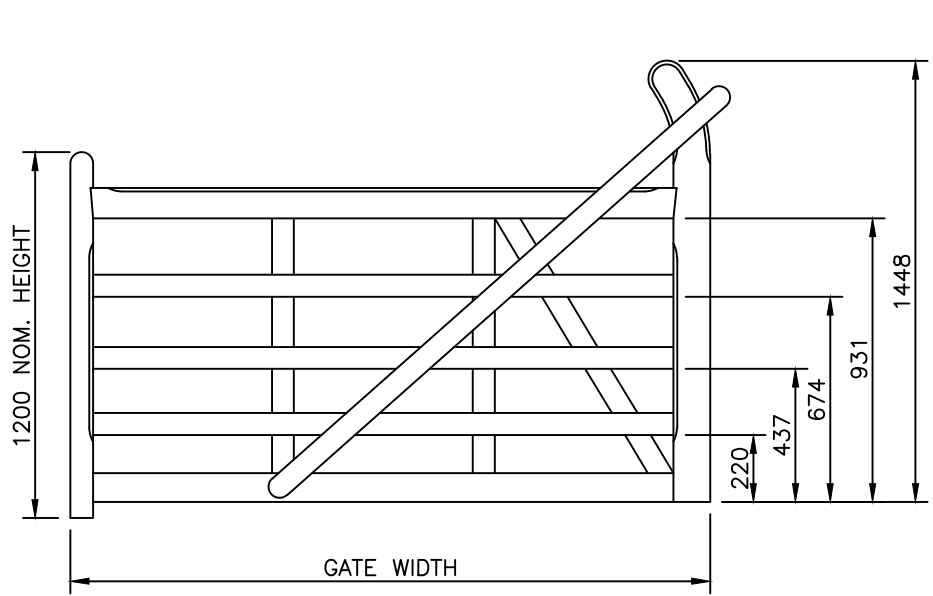
Wide Entrance Gate

Specification (Above 2.0m - 3.0m Wide)
 Gates are 1.2m high except for the curved hanging stile which is 1.5m 125 x 75mm. Slam stile is 75 x 75mm. Top rail is 100 x 75mm, under rail 75 x 95mm and cross braces 75 x 25mm.
 Supplied in natural jakcured finish.



VIEWED FROM OUTSIDE
 GATE LEFT HAND HANGING.
 (AUTOMATED)

Manufacture Tolerance +/-5mm



VIEWED FROM OUTSIDE
 GATE RIGHT HAND HANGING.
 (AUTOMATED)

- All timber used through out is superior quality Jakcured softwood guaranteed for 25 years
- The timber is machined to a standard size, stop chamfered and planed
- All rail and cross bracings are bolted with stainless steel bolts
- All joints are morticed and tenoned
- Traditional attractive designs

DO NOT SCALE – IF IN DOUBT ASK

Stowting Common, Near Ashford, Kent. TN25 6BN
 Telephone: 01233 750393
 Fax: 01233 750403
www.jacksons-fencing.co.uk
www.jacksons-security.co.uk

This Drawing Is The Property Of H.S. Jackson & Son (Fencing) Ltd, And May Not Be Copied Or Reproduced In Any Way Without Prior Written Permission.

④	08/11/18	Rail Pitch Dims Added
③	04/01/07	Stiles Flush if Automated
②	13/02/06	Auto Note Added
①	13/11/04	UPDATE

Drawn	WB	TITLE WIDE ENTRANCE GATE (AUTOMATED)	
Date	13/11/04		
Checked		CUSTOMER	Drawing No.
Size	Scale	ACK No.	04 J7/02094
A3	NTS U.O.S		Sheet 2 of 7