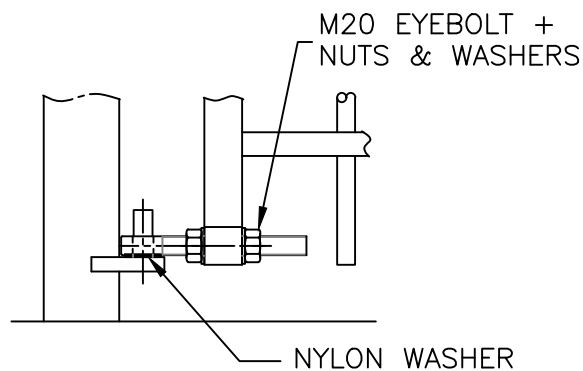
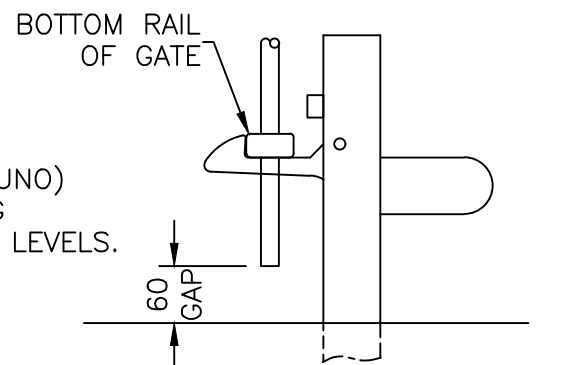


TOP HINGE DETAIL



BOTTOM HINGE DETAIL  
(SCALE 1:8)



HOLD BACK LATCH POST  
(SCALE 1:8)

**NOTES.**

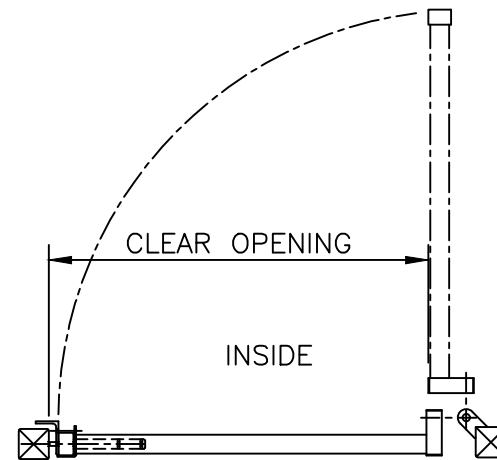
ALL DIMENSIONS ARE IN mm (UNO)  
GAPS UNDER GATES & FENCING  
ARE NOMINAL DUE TO GROUND LEVELS.

**MATERIALS.**

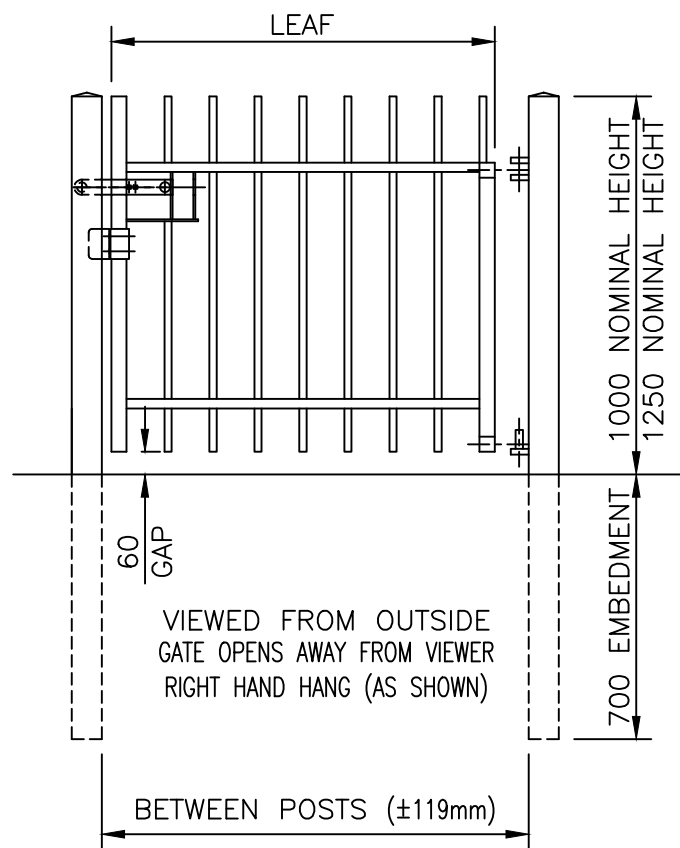
HANG POST: SEE TABLE  
SLAM POST: 80 x 80 SHS  
RAILS: 50 x 25 RHS  
STILES: 60 x 40 RHS  
PALES: ø19 CHS

**FINISH.**

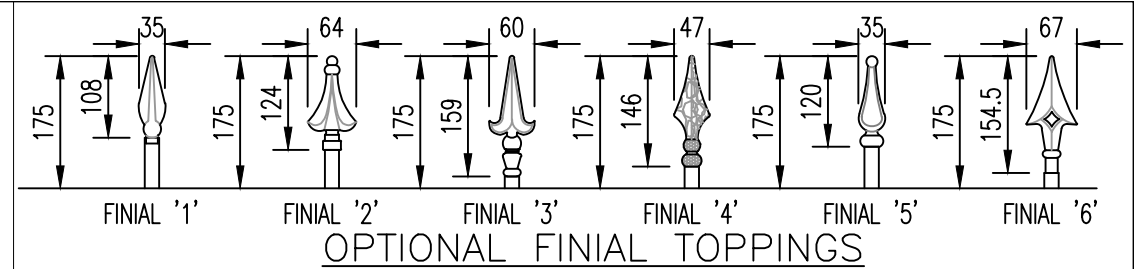
GALVANISED TO BS EN ISO 1461  
POWDER COATED: IF REQUESTED



GATE SECURED USING  
PADLOCKABLE SLIDE LATCH

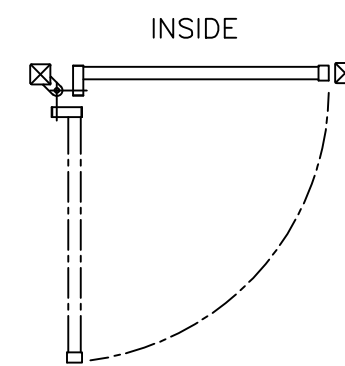


1m & 1.25m STANDARD FENCE HEIGHTS

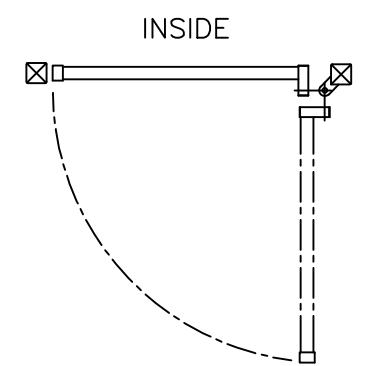


PEDESTRIAN GATE (SLIDE LATCH)

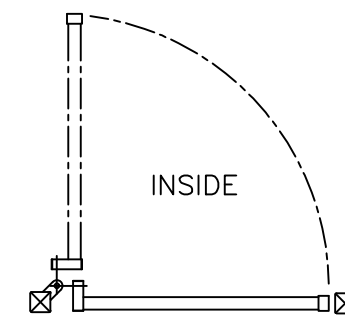
BETWEEN POSTS	CLEAR OPENING	LEAF	POST SIZE
1129	1004	1014	80 x 80 SHS
1248	1123	1133	80 x 80 SHS
1367	1242	1252	80 x 80 SHS
1486	1361	1371	80 x 80 SHS
1605	1480	1490	80 x 80 SHS
1724	1599	1609	100 x 100 SHS
1843	1718	1728	100 x 100 SHS
1962	1837	1847	100 x 100 SHS
2081	1956	1966	100 x 100 SHS
2200	2075	2085	100 x 100 SHS
2319	2194	2204	100 x 100 SHS



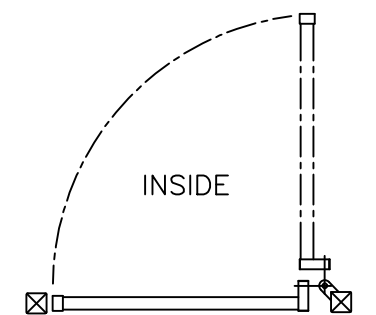
LEFT HAND HANG  
OPEN OUT



RIGHT HAND HANG  
OPEN OUT



LEFT HAND HANG  
OPEN IN



RIGHT HAND HANG  
OPEN IN

**Jacksons Fencing**

Stowting Common, Near Ashford,  
Kent. TN25 6BN  
Telephone: 01233 750393  
Fax: 01233 750403  
www.jacksons-fencing.co.uk  
www.jacksons-security.co.uk

DO NOT SCALE – IF IN DOUBT ASK

- ② 17/05/2018 UPDATED & CORRECTED
- ① 06/11/17 SHROUD DETAIL ADDED
- ① 31/05/2017 Original Issue

Drawn NM  
Date 31/05/2017  
Checked CJ  
Size A3 Scale 1:20 U.O.S

TITLE IMPERIAL 'RESIDENTIAL' SINGLE GATES  
SALES DRAWING (SLIDE LATCH)

CUSTOMER  
ACK No.

Drawing No.  
J1/02157  
Sheet 1