

How to Install EuroGuard® Fencing

Thank you for choosing Jacksons Fencing. Our high quality fencing products are made to last. We recommend you follow the installation instructions below which are offered as a general guide.

Tools (dependant of fixing method):

Tape Measure	Battery drill	Quick grip or 'G' Clamps
Spade/Shove Holer	String line	Spirit level
Hole borer	Setting out pegs	

Materials required:

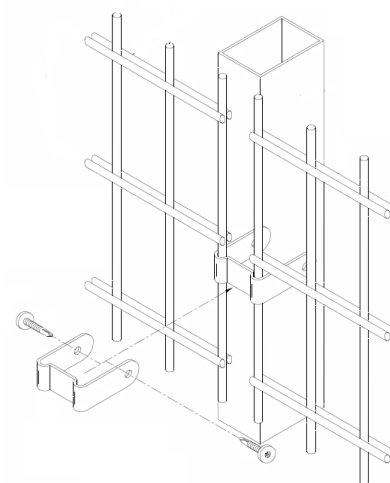
Cement	Self Tapping Screws	Ballast
Zinc rich paint	Touch up paint (if powder coated)	

Method:

1. Plan and mark out fence line using string line and pegs as required.
2. Mark position of posts, generally working away from gate posts and into corners/ends.
3. Fence may be installed by digging holes (approx 9" (225mm) diameter, or to suit ground soil conditions).
4. If fencing is required to be stepped to suit ground levels, be sure to set posts at the correct height for any stepping.

Assuming a gate is already installed see step 7 alternatively.

5. Fix 1st post in position and at the correct height using tape measure, spirit level and concrete mix to suit. Make sure post is facing the correct way as per the drawing shown.
6. Fix the first panel to the post using 'L' clips and self tapping screw both top and bottom and G-clamps or quick grip clamps to secure the panel. Pack under the panel if needed to make sure it is level and at the correct height.
7. Dig hole required for next post.
8. Put the post in check for any changes in the ground level adjust accordingly.
9. Align the panel with the post and secure into place using 'U' clips and self tapping screws along with the 'G' clamps, panels fix towards the edge of the posts as per diagram.
10. Concrete post into the correct position.
11. Panels may be cut to length using a hacksaw or angle grinder, taking care to keep ends the same length and square.
12. Any cut ends of fence panels should be painted with a zinc rich paint, and touched up using suitable touch up paint if panels are coated.



Start of run

