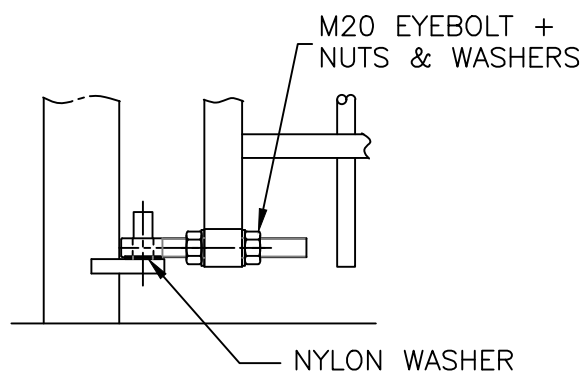
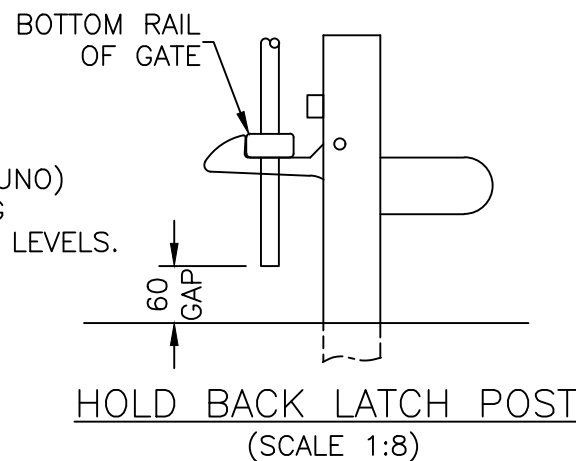


TOP HINGE DETAIL



BOTTOM HINGE DETAIL
(SCALE 1:8)



HOLD BACK LATCH POST
(SCALE 1:8)

NOTES.

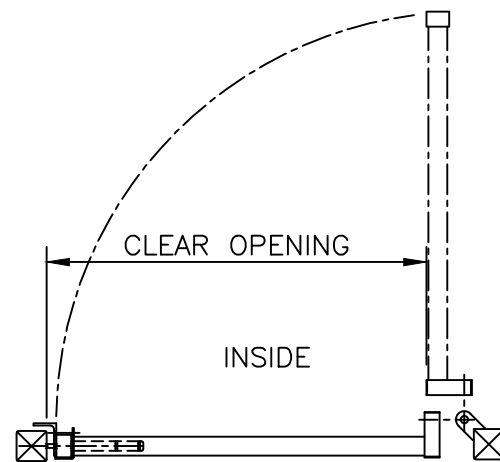
ALL DIMENSIONS ARE IN mm (UNO)
GAPS UNDER GATES & FENCING
ARE NOMINAL DUE TO GROUND LEVELS.

MATERIALS.

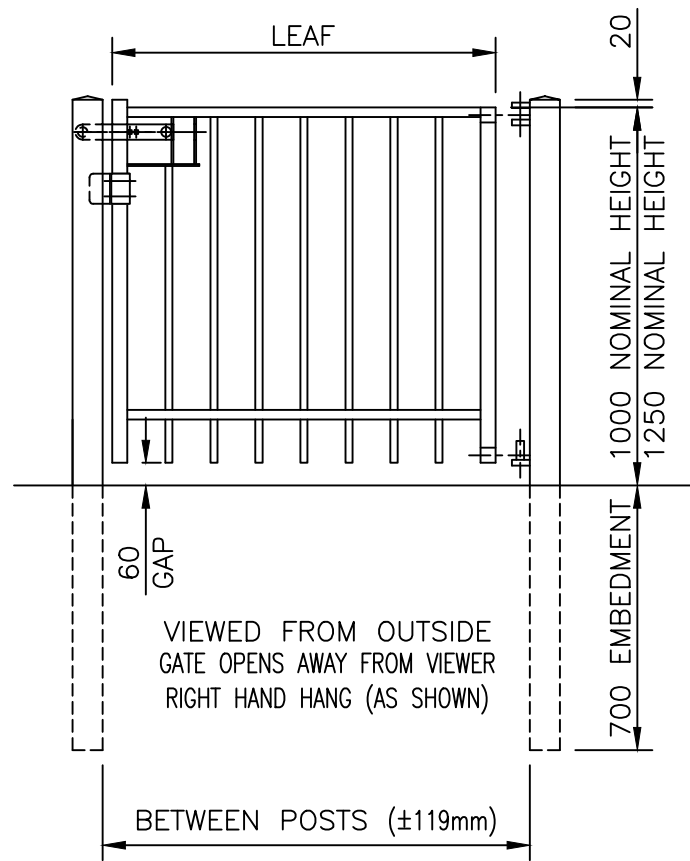
HANG POST: SEE TABLE
SLAM POST: 80 x 80 SHS
RAILS: 50 x 25 RHS
STILES: 60 x 40 RHS
PALES: ø19 CHS

FINISH.

GALVANISED TO BS EN ISO 1461
POWDER COATED: IF REQUESTED

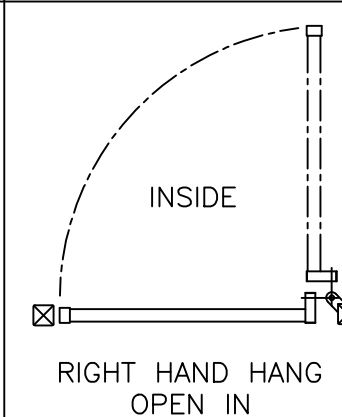
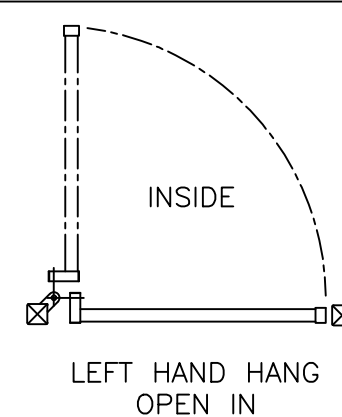
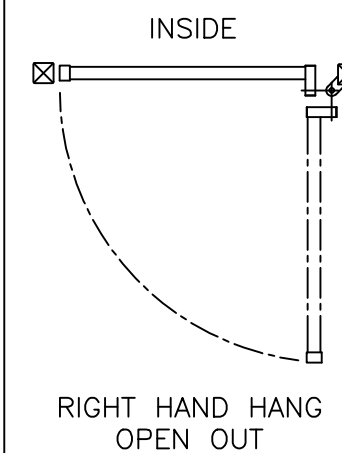
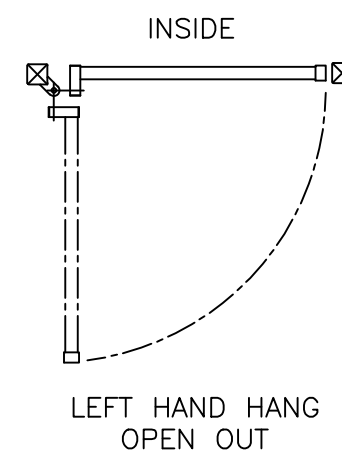


GATE SECURED USING
PADLOCKABLE SLIDE LATCH



1m & 1.25m STANDARD FENCE HEIGHTS

PEDESTRIAN GATE (SLIDE LATCH)			
BETWEEN POSTS	CLEAR OPENING	LEAF	POST SIZE
1129	1004	1014	80 x 80 SHS
1248	1123	1133	80 x 80 SHS
1367	1242	1252	80 x 80 SHS
1486	1361	1371	80 x 80 SHS
1605	1480	1490	80 x 80 SHS
1724	1599	1609	100 x 100 SHS
1843	1718	1728	100 x 100 SHS
1962	1837	1847	100 x 100 SHS
2081	1956	1966	100 x 100 SHS
2200	2075	2085	100 x 100 SHS
2319	2194	2204	100 x 100 SHS



Jacksons Fencing

Stowting Common, Near Ashford,
Kent. TN25 6BN
Telephone: 01233 750393
Fax: 01233 750403
www.jacksons-fencing.co.uk
www.jacksons-security.co.uk

DO NOT SCALE – IF IN DOUBT ASK

1 17/05/2018 NEW BOARDER + REDRAWN
0 26/10/2016 Original Issue

Drawn BW
Date 26/10/2016
Checked CJ
Size A3 Scale 1:20 U.O.S

TITLE SENTRY 'RESIDENTIAL' SINGLE GATES
SALES DRAWING (SLIDE LATCH)

CUSTOMER
ACK No.

Drawing No.
J6/02063
Sheet 1

This Drawing Is The Property Of H.S. Jackson & Son (Fencing) Ltd, And May Not Be Copied Or Reproduced In Any Way Without Prior Written Permission.