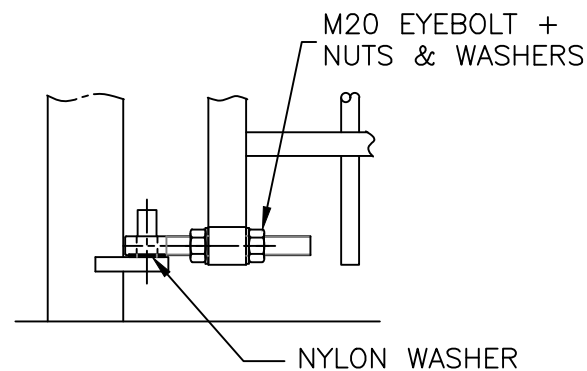
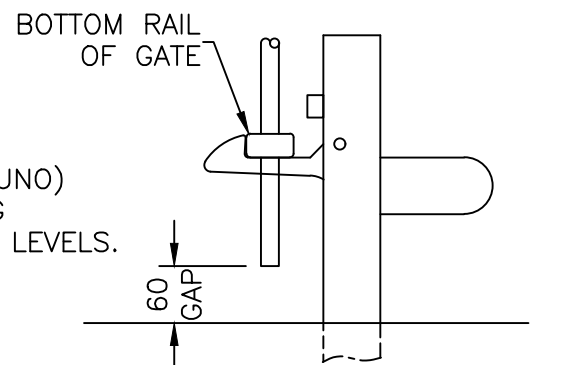


TOP HINGE DETAIL



BOTTOM HINGE DETAIL
(SCALE 1:8)



HOLD BACK LATCH POST
(SCALE 1:8)

NOTES.

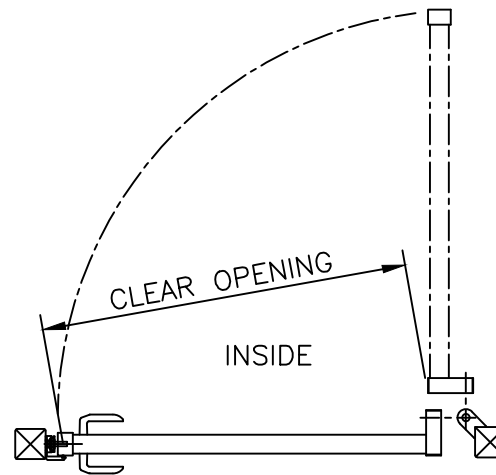
ALL DIMENSIONS ARE IN mm (UNO)
GAPS UNDER GATES & FENCING ARE NOMINAL DUE TO GROUND LEVELS.

MATERIALS.

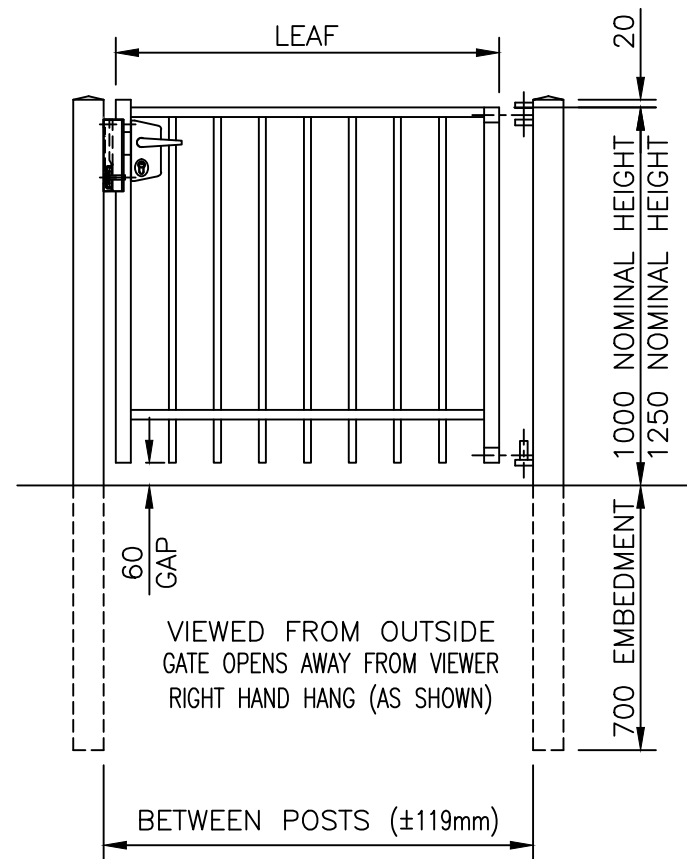
HANG POST: SEE TABLE
SLAM POST: 80 x 80 SHS
RAILS: 50 x 25 RHS
STILES: 60 x 40 RHS
PALES: ø19 CHS

FINISH.

GALVANISED TO BS EN ISO 1461
POWDER COATED: IF REQUESTED

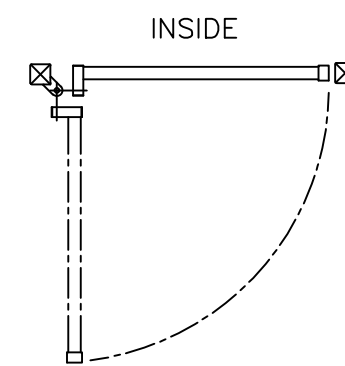


GATE SECURED USING KEY LOCK

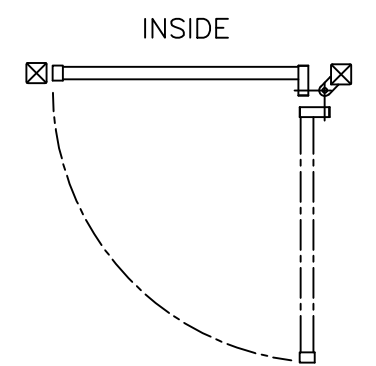


1m & 1.25m STANDARD FENCE HEIGHTS

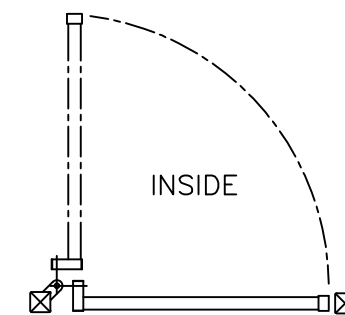
PEDESTRIAN GATE (KEY LOCK)			
BETWEEN POSTS	CLEAR OPENING	LEAF	POST SIZE
1136	927	1014	80 x 80 SHS
1255	1090	1133	80 x 80 SHS
1374	1208	1252	80 x 80 SHS
1493	1325	1371	80 x 80 SHS
1612	1444	1490	80 x 80 SHS
1731	1562	1609	100 x 100 SHS
1850	1680	1728	100 x 100 SHS
1969	1799	1847	100 x 100 SHS
2088	1917	1966	100 x 100 SHS
2207	2036	2085	100 x 100 SHS
2326	2154	2204	100 x 100 SHS



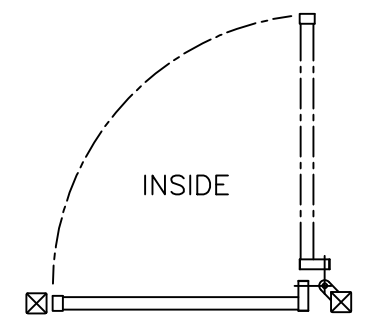
LEFT HAND HANG OPEN OUT



RIGHT HAND HANG OPEN OUT



LEFT HAND HANG OPEN IN



RIGHT HAND HANG OPEN IN

Jacksons Fencing

Stowting Common, Near Ashford, Kent. TN25 6BN
Telephone: 01233 750393
Fax: 01233 750403
www.jacksons-fencing.co.uk
www.jacksons-security.co.uk

DO NOT SCALE – IF IN DOUBT ASK

1 17/05/2018 NEW BOARDER + REDRAWN
0 26/10/2016 Original Issue

Drawn BW
Date 26/10/2016
Checked CJ
Size A3 Scale 1:20 U.O.S

TITLE SENTRY 'RESIDENTIAL' SINGLE GATES SALES DRAWING (KEY LOCK)

CUSTOMER
ACK No.

Drawing No.
J6/02063
Sheet 2

This Drawing Is The Property Of H.S. Jackson & Son (Fencing) Ltd, And May Not Be Copied Or Reproduced In Any Way Without Prior Written Permission.