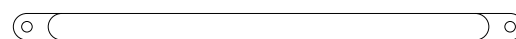
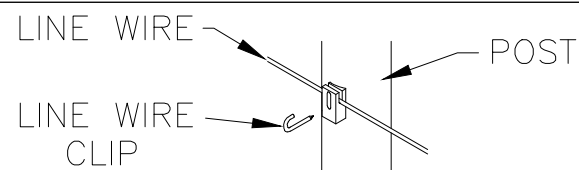
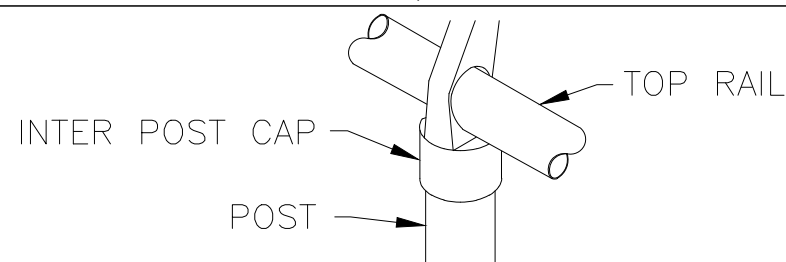
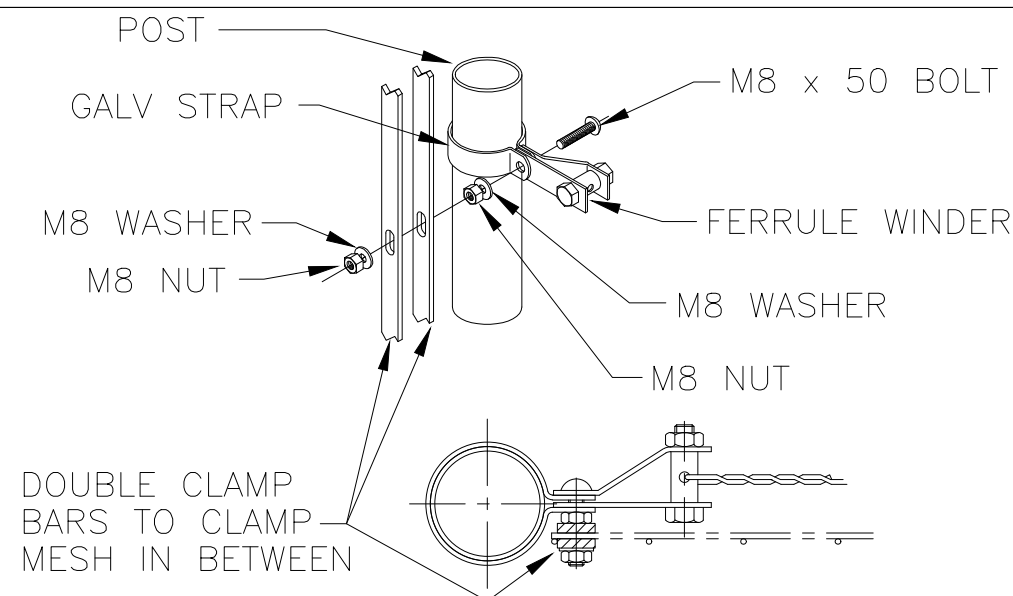
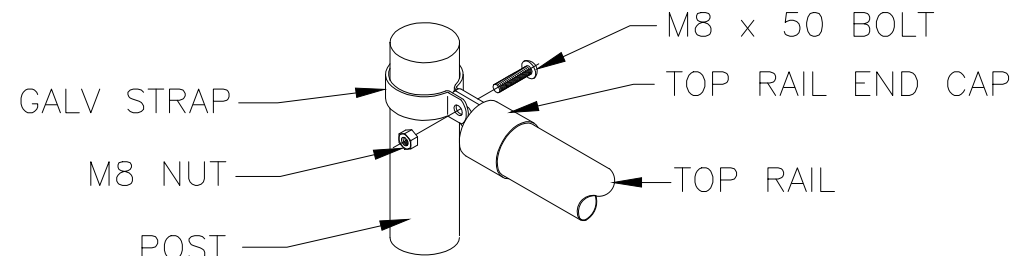
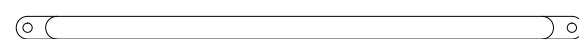


INTERMEDIATE STRAINER INTERMEDIATE/END STRAINER CORNER STRAINER

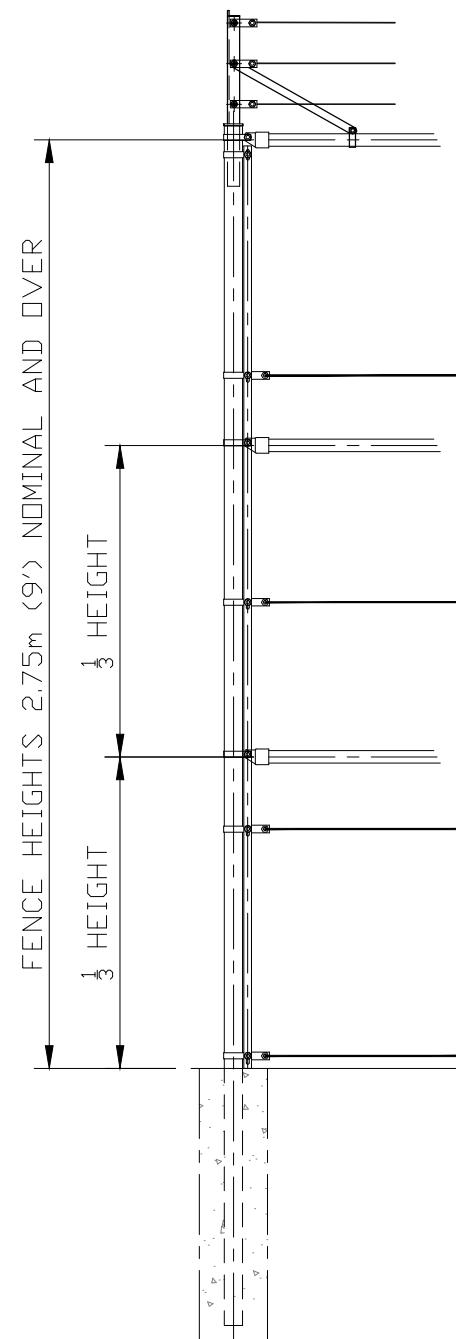
THIS DRAWING IS TO BE USED IN CONJUNCTION WITH INSTALLATION INSTRUCTIONS ON OUR WEBSITE: WWW.JACKSONS-FENCING.CO.UK



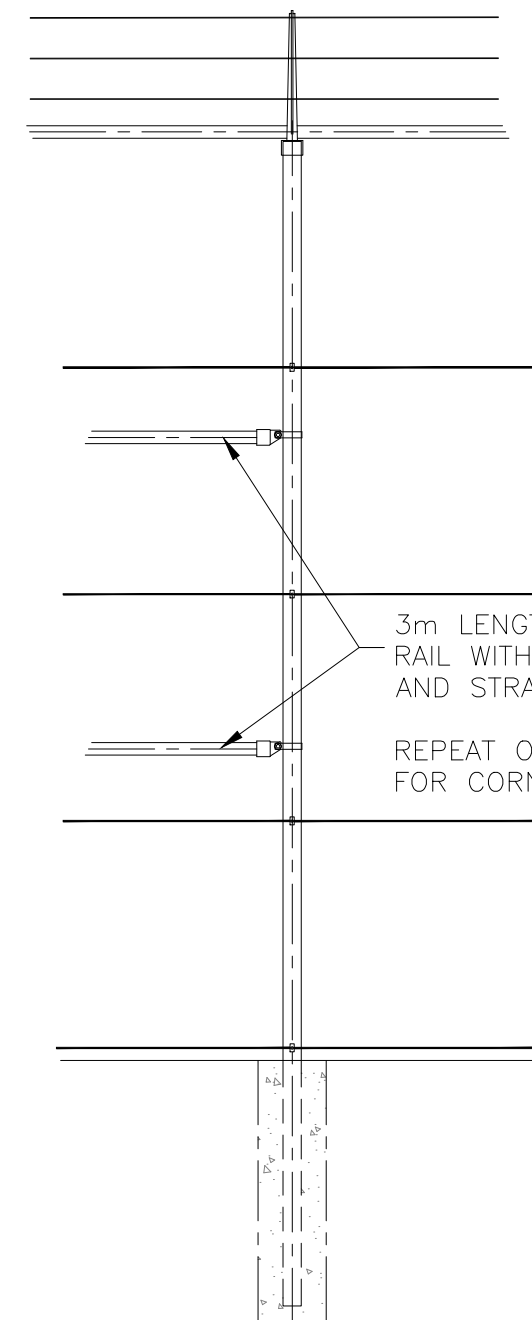
SHORT CAP STRUT 475 LG



LONG CAP STRUT 625 LG



END POST



INTERMEDIATE POST

2.75mH NOM AND OVER.

HORIZONTAL STRUT KITS SUPPLIED FOR 10ft HIGH & ABOVE TO BE USED AT END OF RUN WHERE STRAINING. KITS CONSISTS OF 6m TOP RAIL TO BE CUT TO LENGTH & TOP RAIL END CAPS + STRAPS TO BE POSITIONED AT 3rd POINTS

Jacksons
FINE FENCING

Stowting Common
Near Ashford,
KENT. TN25 6BN
Telephone : 01233 750393
Fax: 01233 750403
Int. Tel : +44 (0)1233 750393

DO NOT SCALE - IF IN DOUBT ASK

Drawn	WB	TITLE	Tubular Welded Mesh SYSTEM 5
Date	02/02/2016	CUSTOMER	
Checked	CJ	ACK No.	
Size	A3	Scale	N.T.S U.O.S
		Drawing No.	98 J2/01033
			Sheet 2 of 3

This Drawing Is The Property Of H.S. Jackson & Son (Fencing) Ltd. And May Not Be Copied Or Reproduced In Any Way Without Prior Written Permission.

02/02/2016 ORIGINAL ISSUE