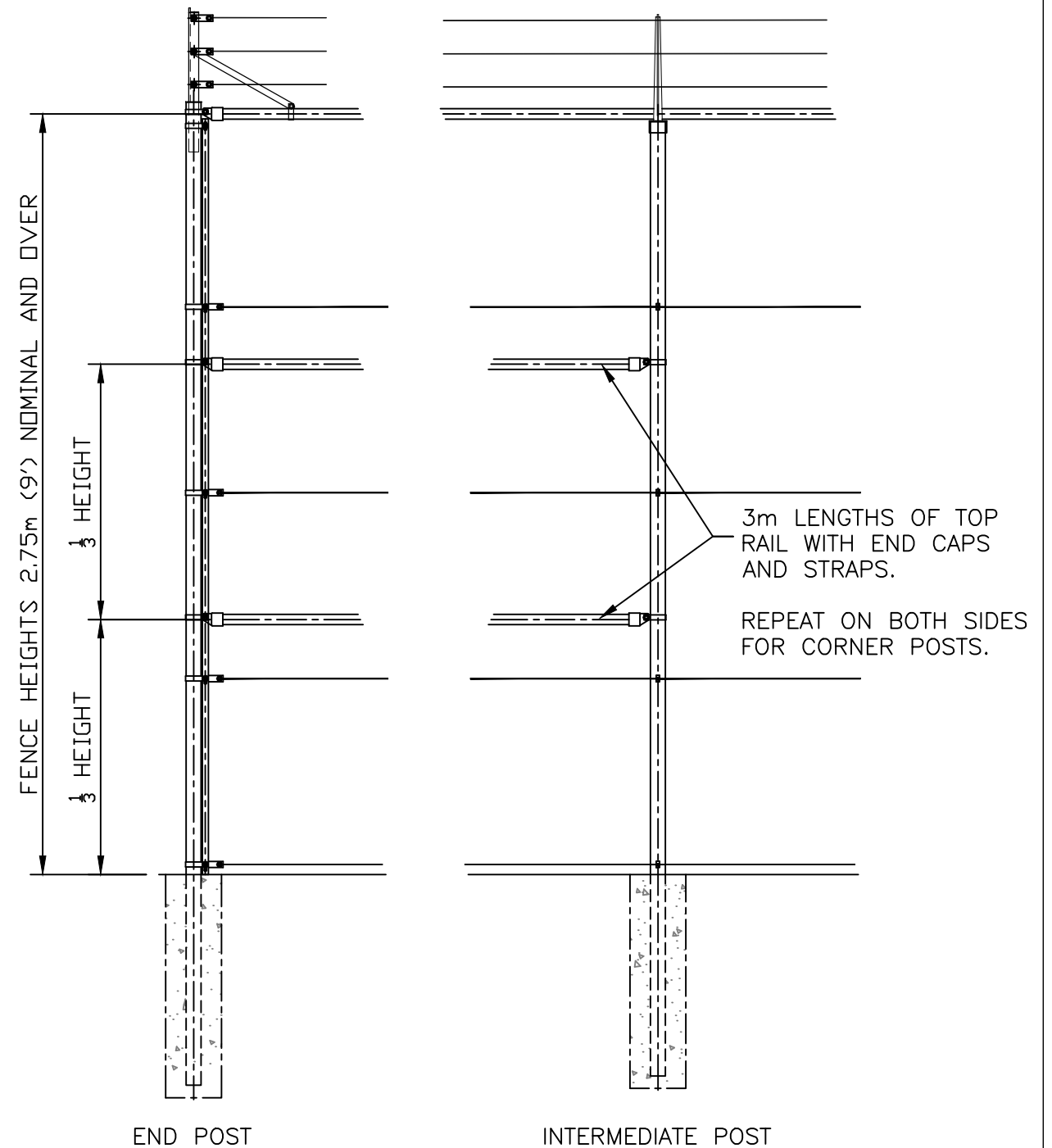
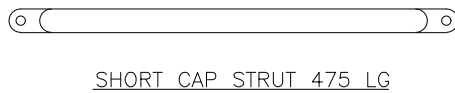
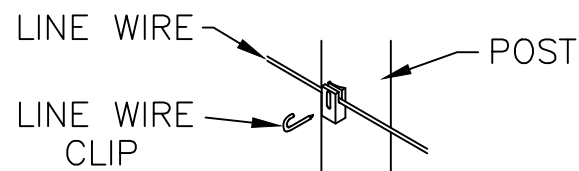
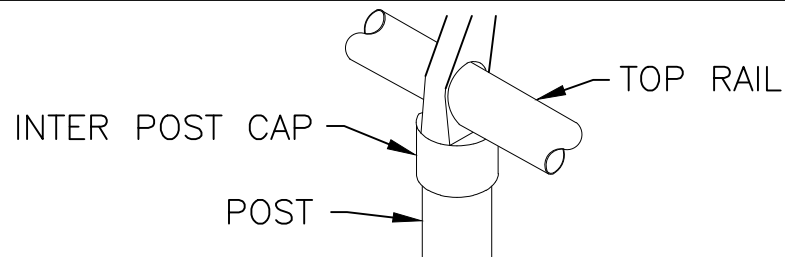
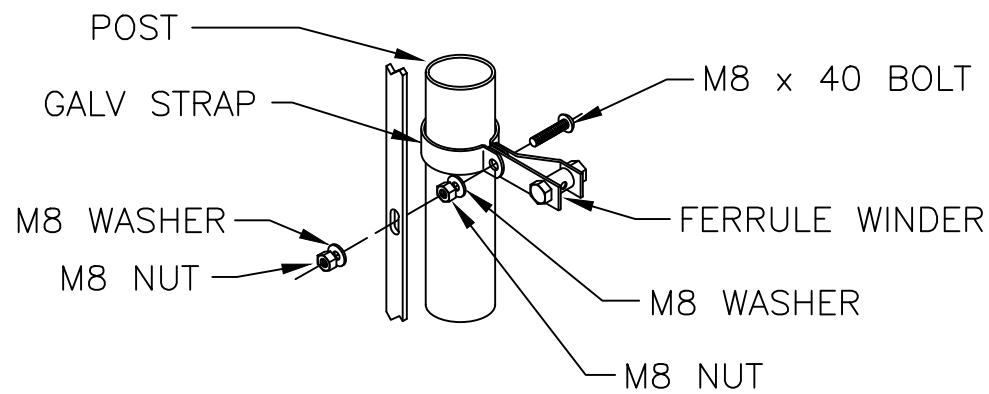
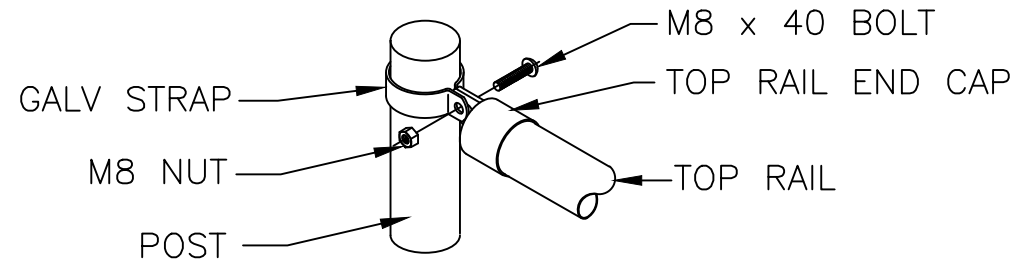


INTERMEDIATE STRAINER

THIS DRAWING IS TO BE USED IN CONJUNCTION WITH INSTALLATION INSTRUCTIONS ON OUR WEBSITE: WWW.JACKSONS-FENCING.CO.UK



2.75mH NOM AND OVER.

HORIZONTAL STRUT KITS SUPPLIED FOR 10ft HIGH & ABOVE TO BE USED AT END OF RUN WHERE STRAINING. KITS CONSISTS OF 6m TOP RAIL TO BE CUT TO LENGTH & TOP RAIL END CAPS + STRAPS TO BE POSITIONED AT 3rd POINTS

Jacksons Fencing

Stowting Common, Near Ashford, Kent. TN25 6BN
 Telephone: 01233 750393
 Fax: 01233 750403
 www.jacksons-fencing.co.uk
 www.jacksons-security.co.uk

This Drawing Is The Property Of H.S. Jackson & Son (Fencing) Ltd, And May Not Be Copied Or Reproduced In Any Way Without Prior Written Permission.

DO NOT SCALE – IF IN DOUBT ASK

04/02/2016 ORIGINAL ISSUE

Drawn Y HALL	TITLE	Tubular Chainlink SYSTEM 5 LAYOUT
Date 30/11/98		
Checked CJ	CUSTOMER	Drawing No. J2/01026 Sheet 1A of 4
Size A3 Scale N.T.S U.O.S	ACK No.	