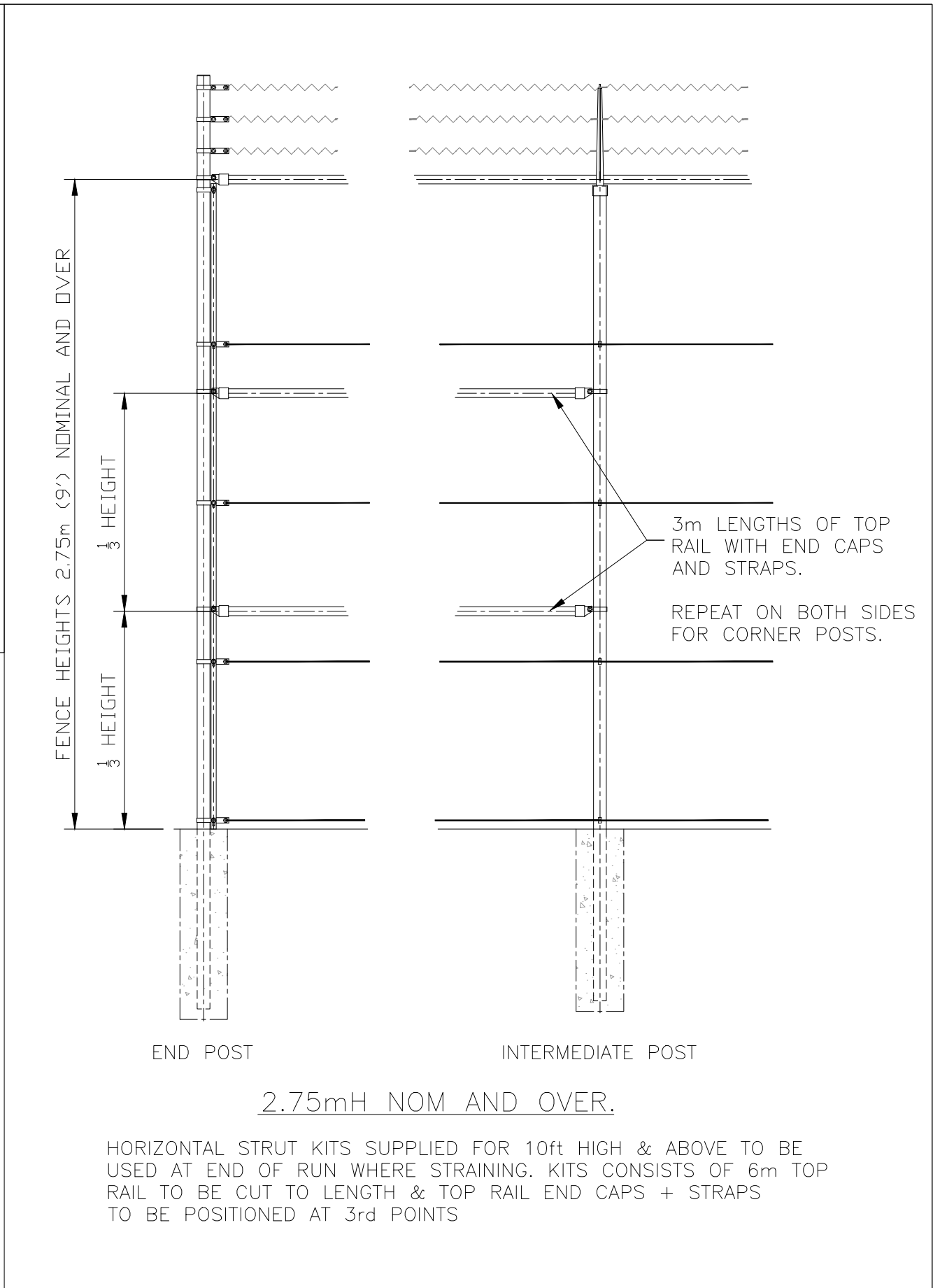
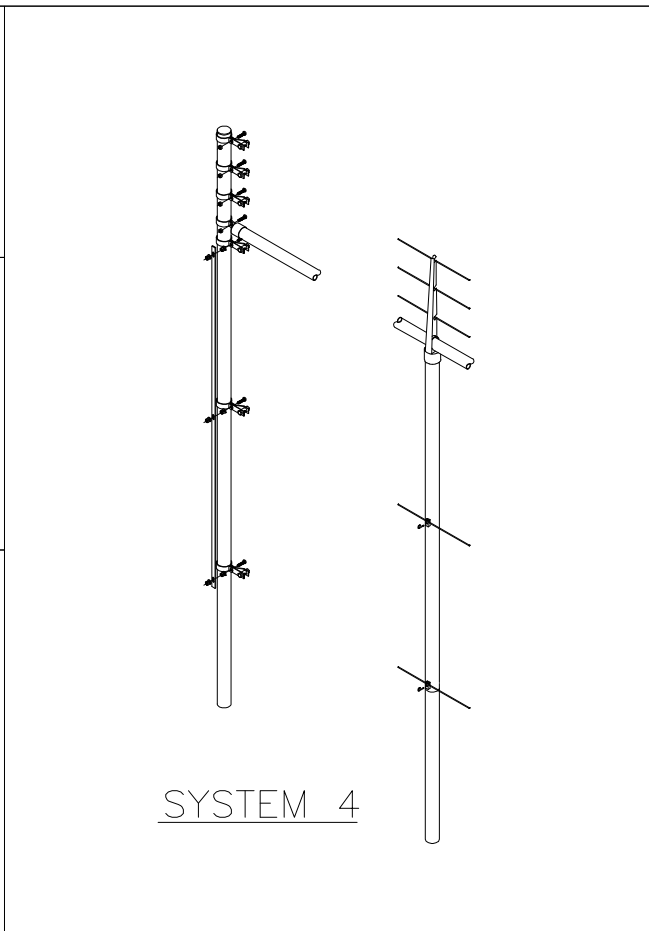


THIS DRAWING IS TO BE USED IN CONJUNCTION WITH INSTALLATION INSTRUCTIONS ON OUR WEBSITE: [WWW.JACKSONS-FENCING.CO.UK](http://WWW.JACKSONS-FENCING.CO.UK)



**Jacksons**  
**FINE FENCING**

Stowting Common  
Near Ashford,  
KENT. TN25 6BN  
Telephone : 01233 750393  
Fax: 01233 750403  
Int. Tel : +44 (0)1233 750393

This Drawing Is The Property Of H.S. Jackson & Son (Fencing) Ltd.  
And May Not Be Copied Or Reproduced In Any Way Without Prior Written Permission.

DO NOT SCALE - IF IN DOUBT ASK

04/02/2016 ORIGINAL ISSUE

Drawn WB	TITLE	Tubular Chainlink SYSTEM 4
Date 04/02/2016		
Checked CJ	CUSTOMER	Drawing No.
Size A3	Scale N.T.S U.O.S	ACK No.
		98 J2/01025 Sheet 2 of 3