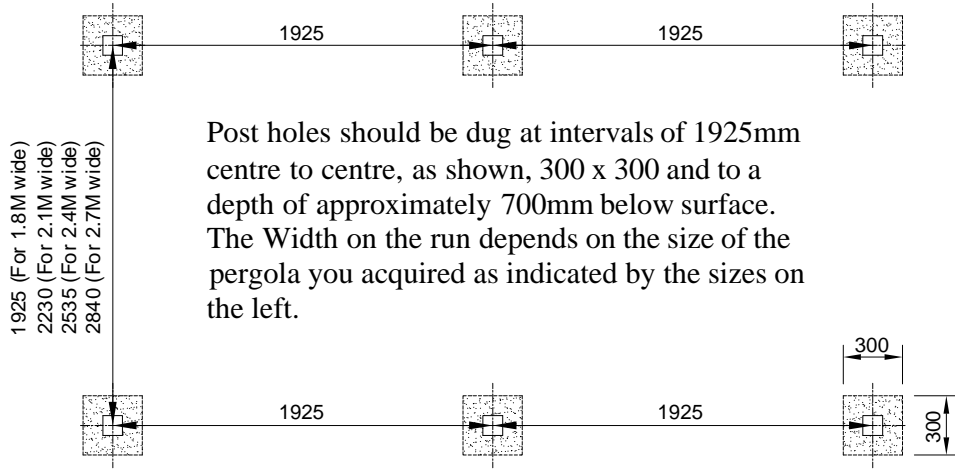


DOUBLE PERGOLA SYSTEM

FIGURE 3



Post holes should be dug at intervals of 1925mm centre to centre, as shown, 300 x 300 and to a depth of approximately 700mm below surface. The Width on the run depends on the size of the pergola you acquired as indicated by the sizes on the left.

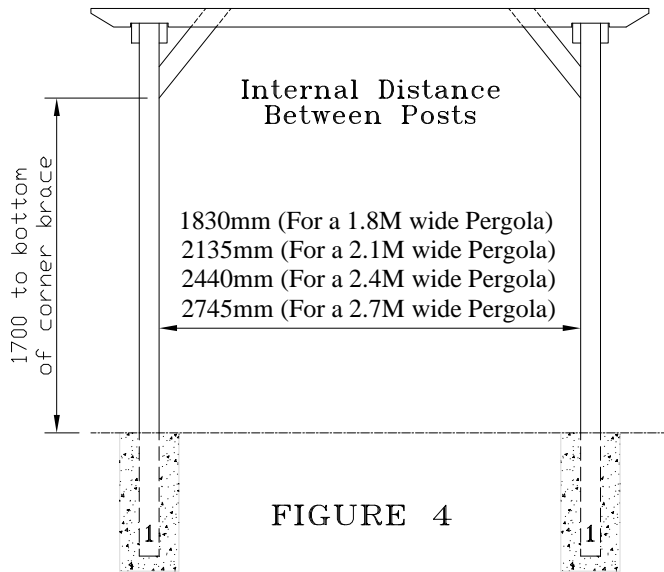


FIGURE 4

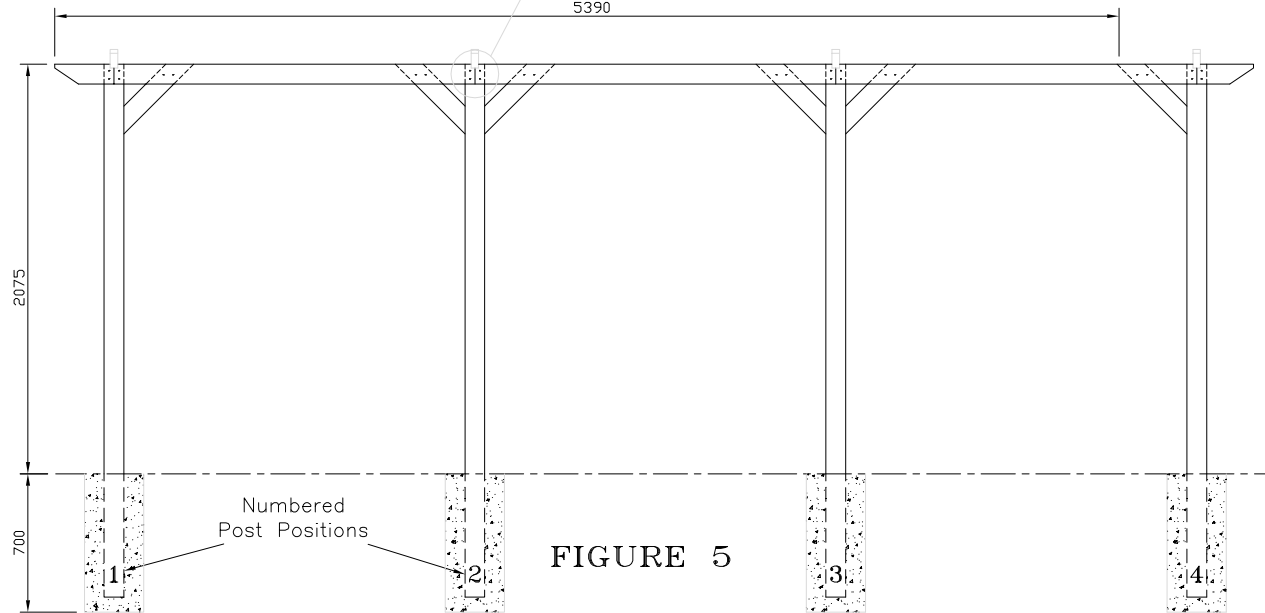


FIGURE 5

FIGURE 6
Pre Drill and nail the in-line & corner braces in the three positions shown on the right.

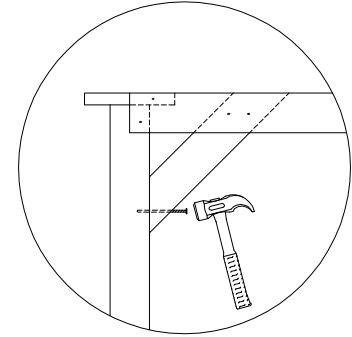
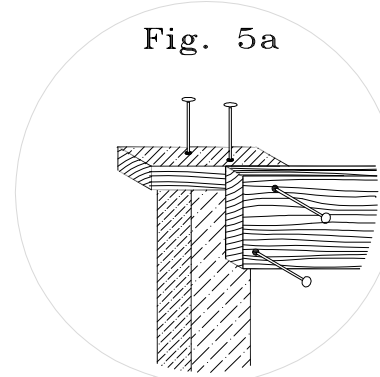


Fig. 5a



Cross Rail
Not Shown

Pre Drill and nail the Side Rails, using 3" nails, covering half of the post as illustrated.