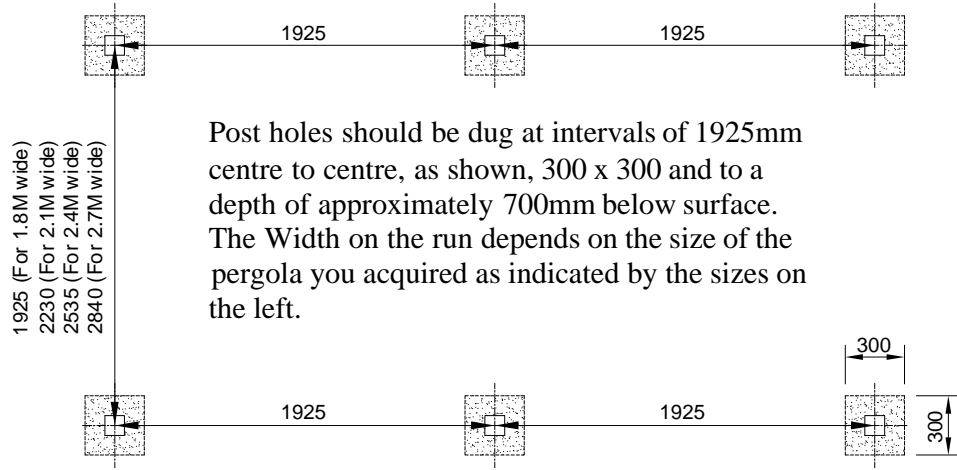


Jacksons FINE FENCING

DOUBLE PERGOLA SYSTEM

FIGURE 3



Post holes should be dug at intervals of 1925mm centre to centre, as shown, 300 x 300 and to a depth of approximately 700mm below surface. The Width on the run depends on the size of the pergola you acquired as indicated by the sizes on the left.

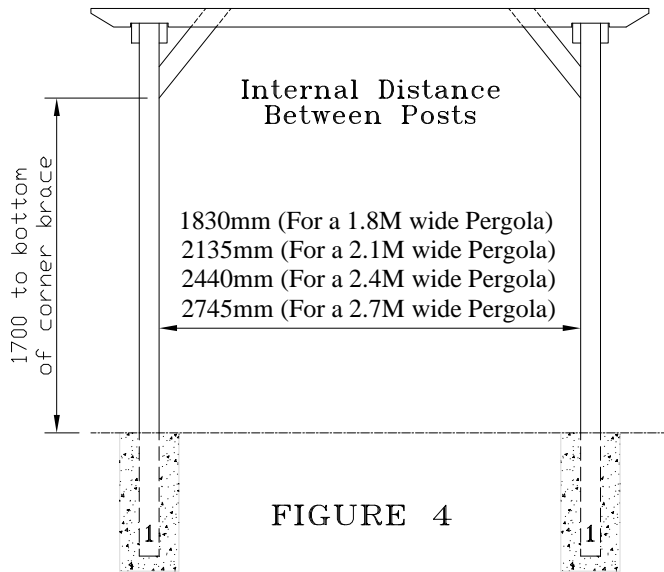


FIGURE 4

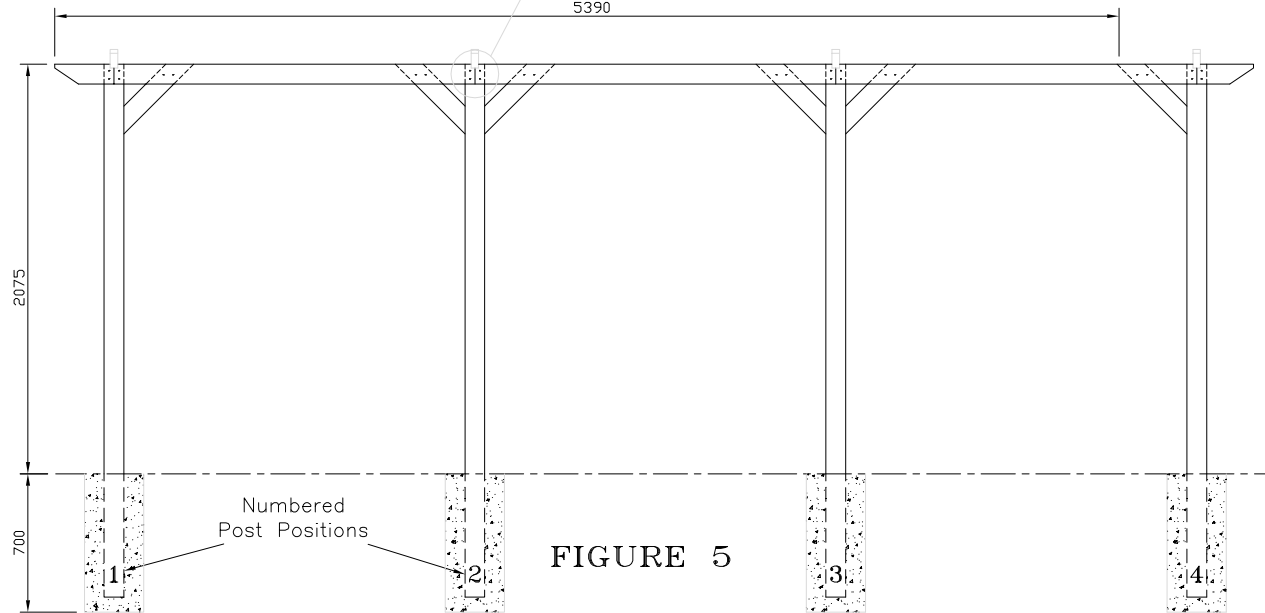


FIGURE 5

FIGURE 6
Pre Drill and nail the
in-line & corner braces
in the three positions
shown on the right.

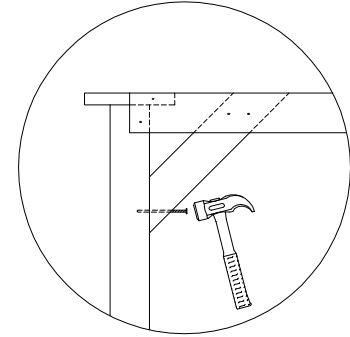
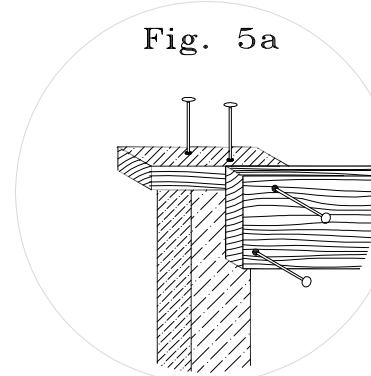


Fig. 5a



Cross Rail
Not Shown

Pre Drill and nail the
Side Rails, using 3"
nails, covering half of
the post as illustrated.