

FIGURE 3

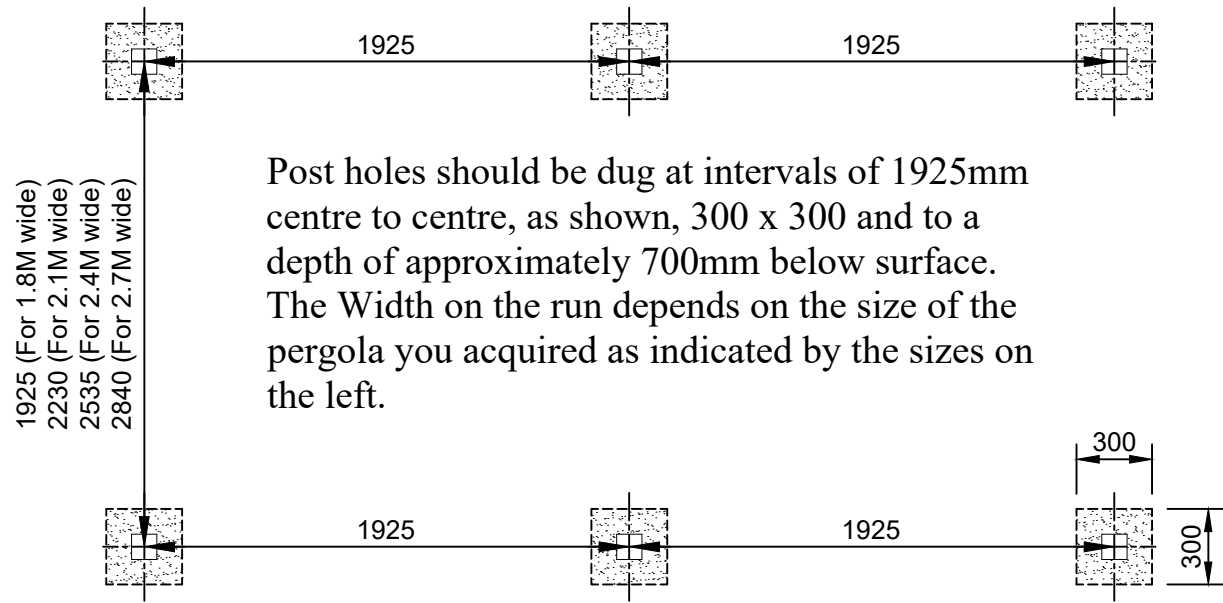


FIGURE 6

Pre Drill and nail the in-line & corner braces in the three positions shown on the right.

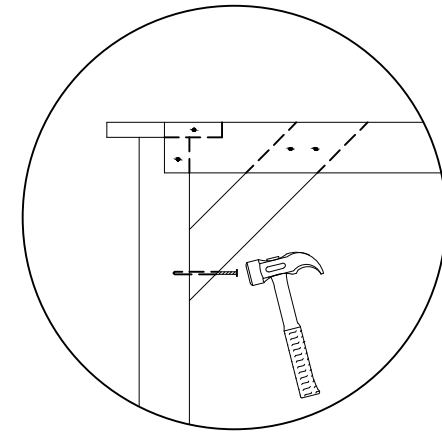
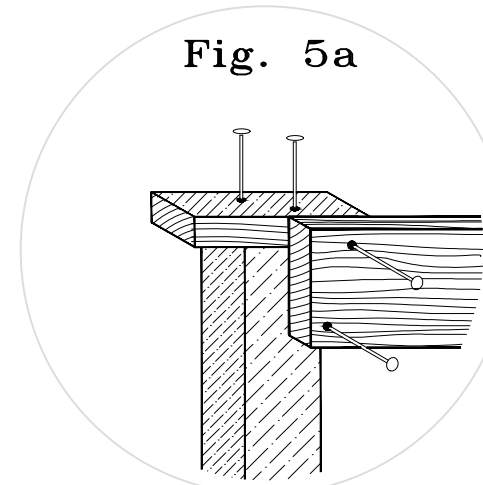


Fig. 5a



Cross Rail
Not Shown

Pre Drill and nail the Side Rails, using 3" nails, covering half of the post as illustrated.

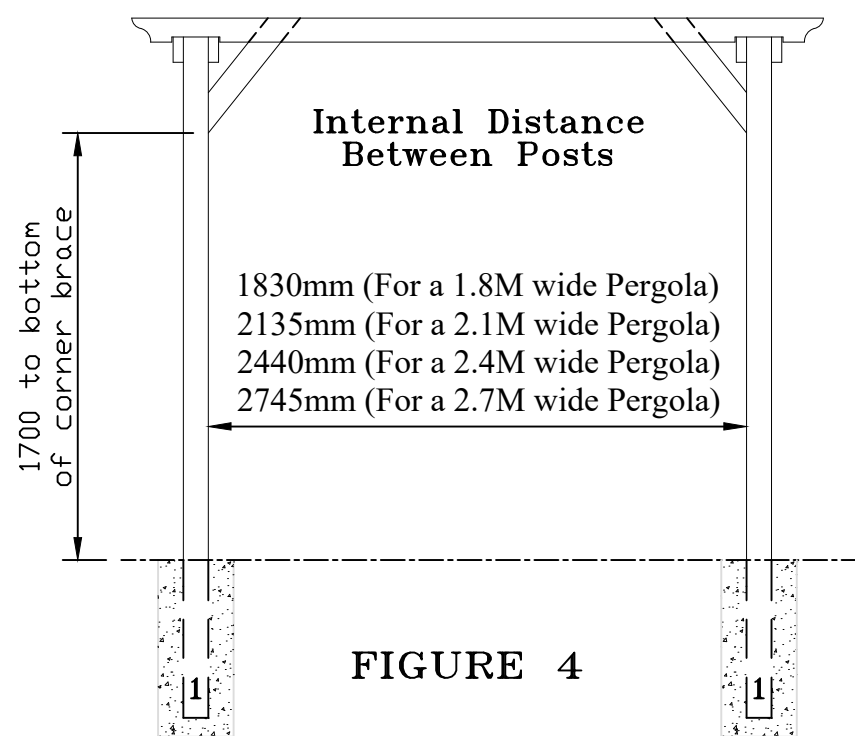


FIGURE 4

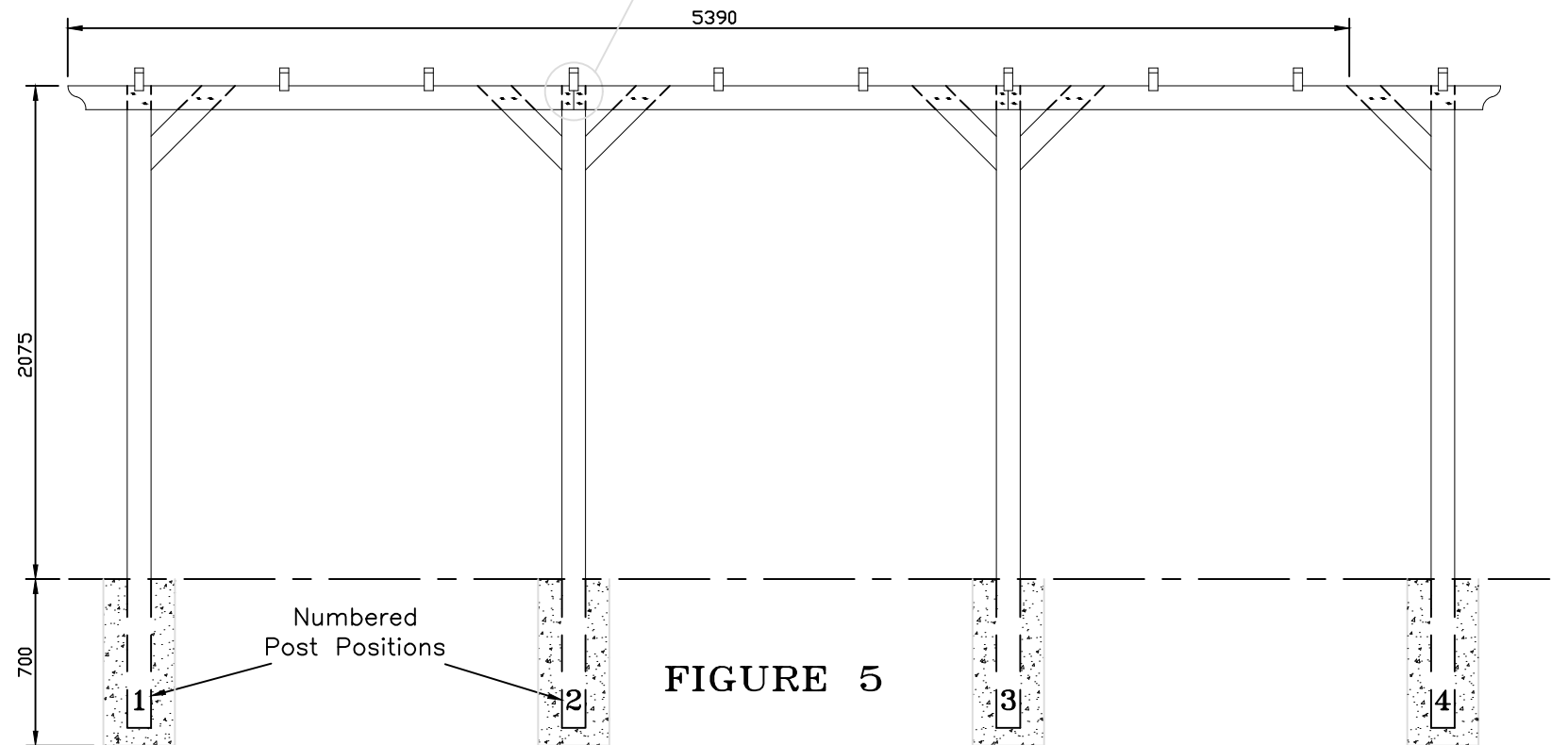


FIGURE 5

Jacksons Fencing

Stowting Common, Near Ashford, Kent. TN25 6BN
Telephone: 01233 750393
Fax: 01233 750403
www.jacksons-fencing.co.uk
www.jacksons-security.co.uk

DO NOT SCALE – IF IN DOUBT ASK

Drawn WB
Date 17/02/2023
Checked
Size A3 Scale 1:30 U.O.S

TITLE DOUBLE PERGOLA SYSTEM

CUSTOMER

ACK No.

Drawing No.
J7/01036
Sheet 1

This Drawing Is The Property Of H.S. Jackson & Son (Fencing) Ltd, And May Not Be Copied Or Reproduced In Any Way Without Prior Written Permission.

17/02/2023 UPDATED DRAWING BORDER