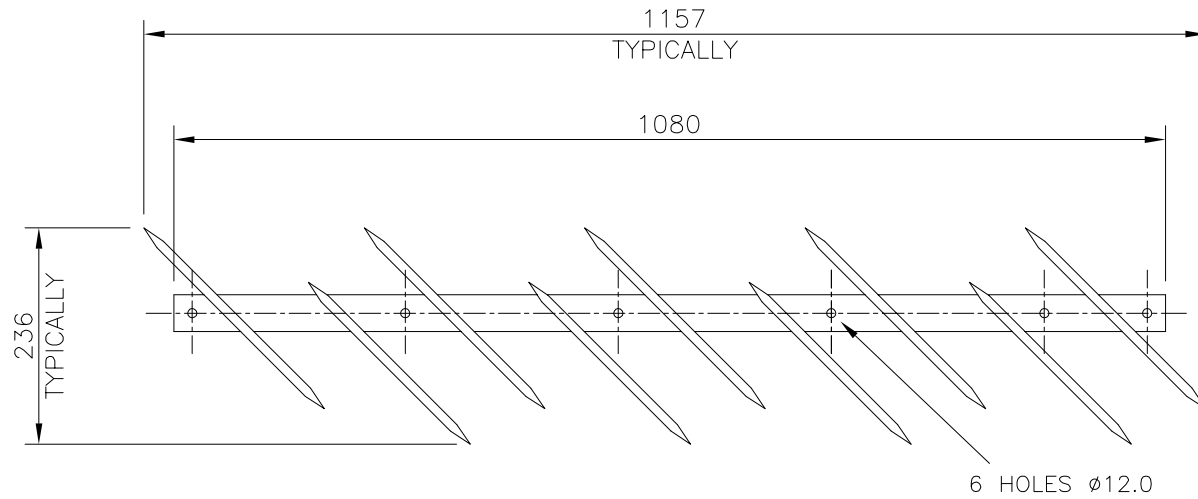


DO NOT SCALE – IF IN DOUBT ASK

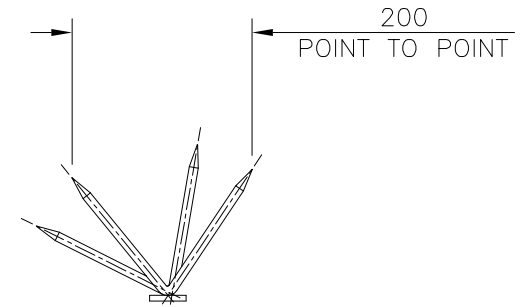
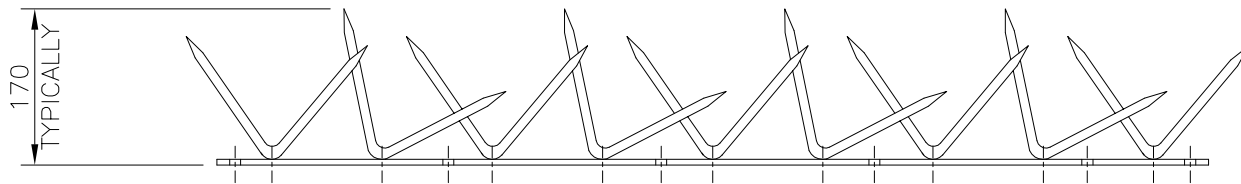


NOTES.

ALL DIMENSIONS ARE IN mm (U.N.O)
GAPS UNDERNEATH GATES & FENCING
ARE NOMINAL DUE TO GROUND LEVELS.

Materials.

FIXING PLATE – 40 x 6 FLAT BAR x 1080 LG
SPIKE – POINTED Ø10 BAR
BENT TO SUIT



Jacksons
FINE FENCING

Stowting Common
Near Ashford,
KENT. TN25 6BN
Telephone : 01233 750393
Fax: 01233 750403
Int. Tel : +44 (0)1233 750393

This Drawing Is The Property Of H.S. Jackson & Son (Fencing) Ltd.
And May Not Be Copied Or Reproduced In Any Way Without Prior Written Permission.



Original Issue

Drawn S.Leeper

Date 13/06/06

Checked

Size
A3

Scale N.T.S
U.O.S

TITLE

SALES DRAWING FOR
VIPER 1

CUSTOMER

ACK No.

Drawing No.

J4/04136
SHEET 1 OF 2