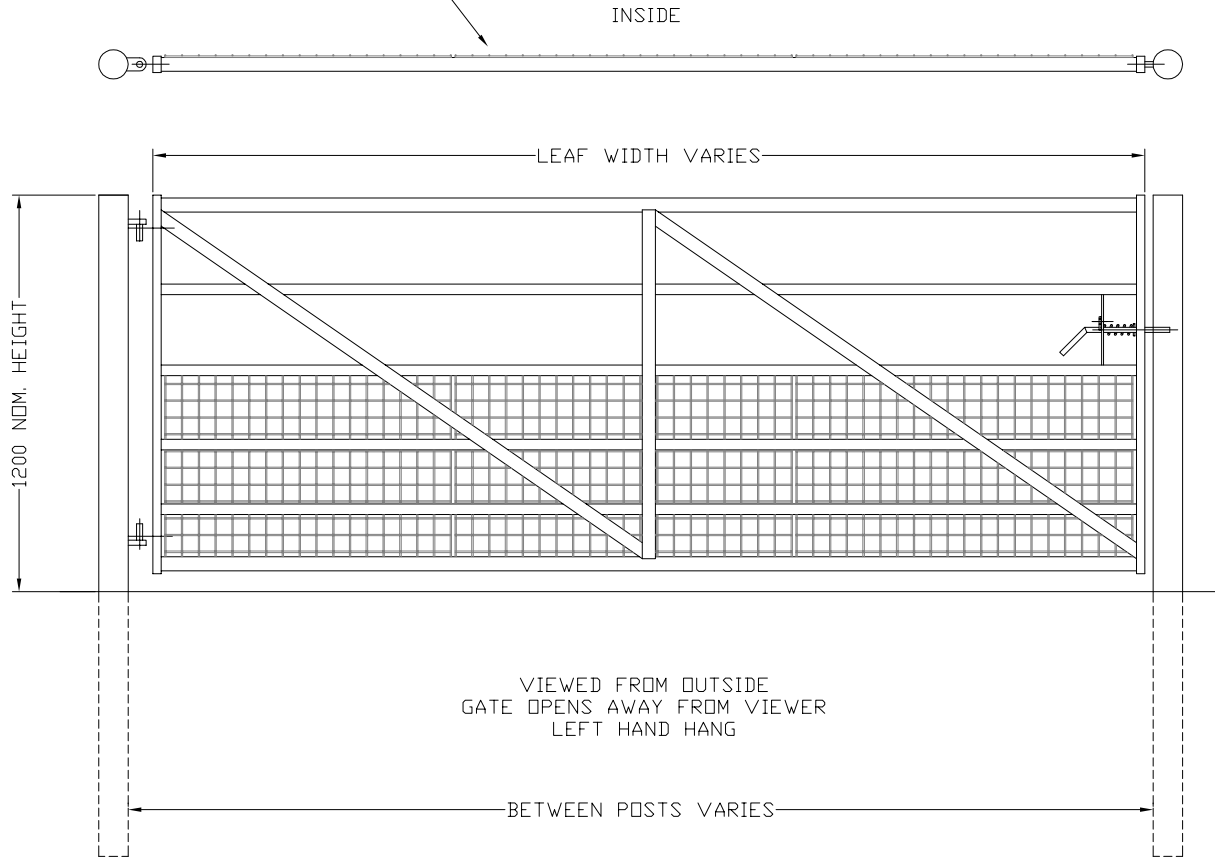
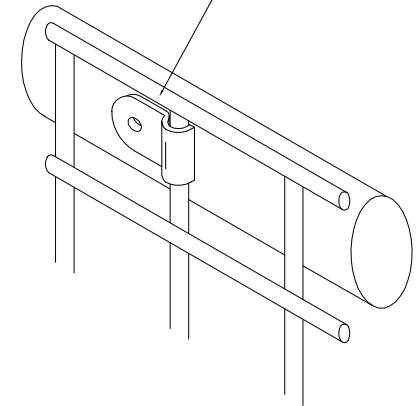


50 x 50 WELDMESH PANELS
600 HIGH x 1000 WIDE
FIXED TO REAR OF GATE
USING 'P' CLIPS
(SEE DETAIL)



GATE LENGTH	B/POSTS	HANG POST SIZE
1000	1100	ø88.9
1200	1300	ø88.9
1500	1600	ø88.9
1800	1900	ø88.9
2100	2200	ø88.9
2400	2500	ø88.9
2800	2900	ø88.9
3000	3100	ø88.9
3300	3400	ø88.9
3600	3700	ø114
4200	4300	ø114
4600	4700	ø114

DRILL RAILS & FIX WELDMESH PANEL
USING 'P' CLIP & DRIVE RIVETS



FIXING DETAIL

NOTES.

ALL DIMENSIONS ARE IN mm (U.N.O)
GAPS UNDERNEATH GATES & FENCING
ARE NOMINAL DUE TO GROUND LEVELS.

Finish.

GALVANISED TO BS EN ISO 1461:1999
POWDER COATED: IF REQUIRED

Materials.

HANG POSTS - ø88.9 CHS
HANG POSTS - ø114 CHS
SLAM POSTS - ø88.9 CHS
RAILS - ø40 CHS
 - ø32 CHS
STILES - 50 x 25 RHS
BRACE - 40 x 6 M.S. FLAT BAR

Jacksons
FINE FENCING

Stowting Common
Near Ashford,
KENT. TN25 6BN
Telephone : 01233 750393
Fax: 01233 750403
Int. Tel : +44 (0)1233 750393

- ② 23/01/14
- ① 30/11/13
- ① 02/11/09

Hang Posts Added
Upper Hinge Pin
Original Issue

Drawn	WB
Date	02/11/09
Checked	
Size	Scale 1:16
A3	U.O.S

TITLE
METAL FIELD GATE
CLAD WITH WELDMESH

CUSTOMER
ACK No.

Drawing No.
J7/02179
Sheet 2 of 2