

DO NOT SCALE - IF IN DOUBT ASK

PEDESTRIAN GATE (SLIDE-BOLT)

BETWEEN POSTS	CLEAR OPENING	POST SECTION
1129	1004	80 x 80 x 3 SHS
1248	1123	80 x 80 x 3 SHS
1367	1242	80 x 80 x 3 SHS
1486	1361	80 x 80 x 3 SHS
1605	1480	80 x 80 x 3 SHS
BETWEEN POSTS	CLEAR OPENING	POST SECTION
1724	1599	100 x 100 x 3 SHS
1843	1718	100 x 100 x 3 SHS
1962	1837	100 x 100 x 3 SHS
2081	1956	100 x 100 x 3 SHS
2200	2075	100 x 100 x 3 SHS
2319	2194	100 x 100 x 3 SHS

NOTES.

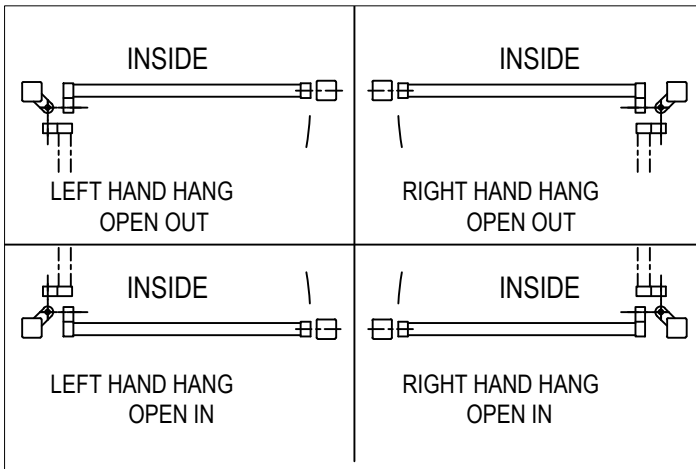
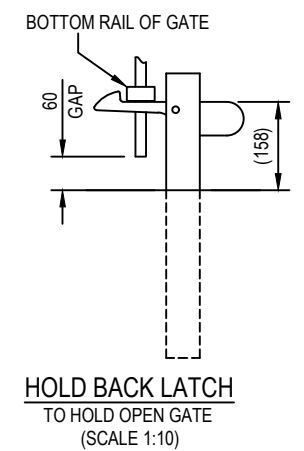
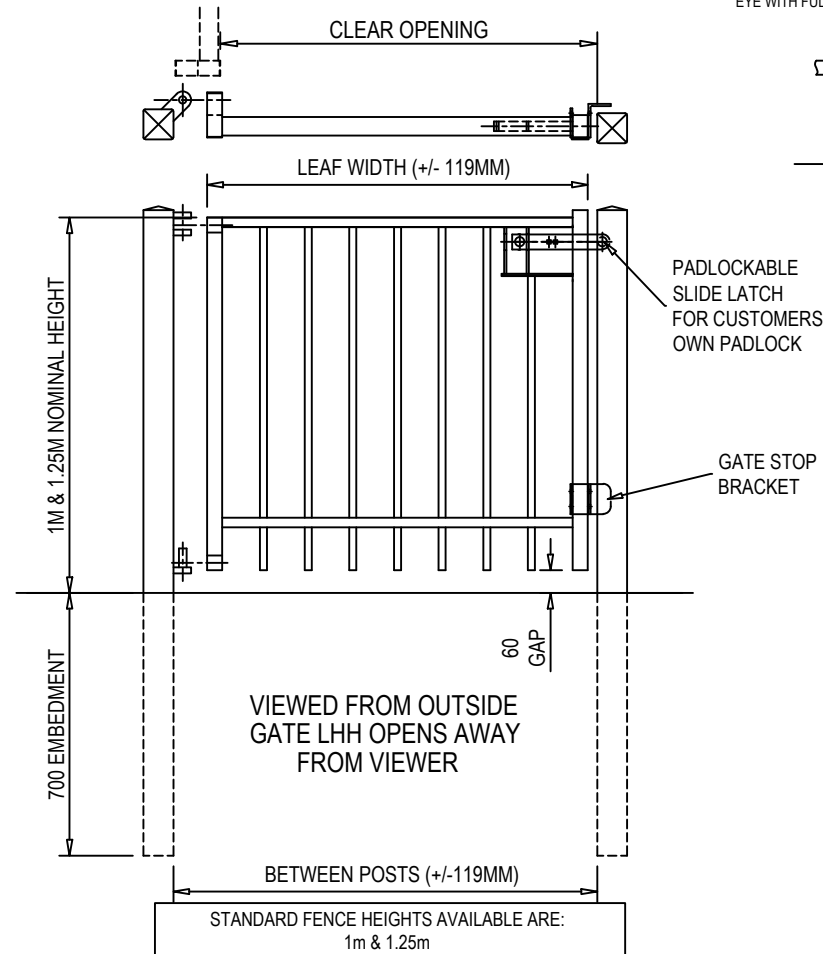
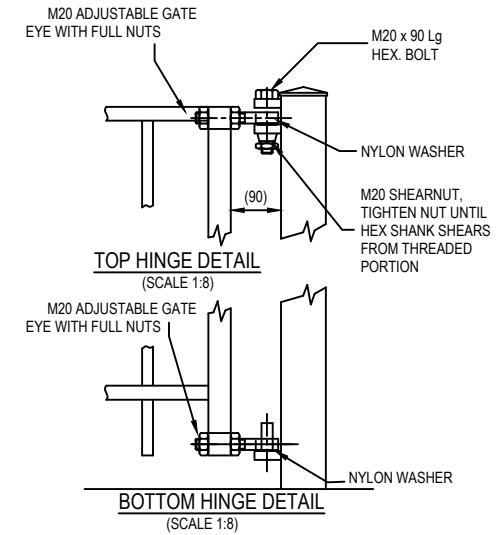
ALL DIMENSIONS ARE IN mm (U.N.O)
GAPS UNDERNEATH GATES & FENCING IS BASED UPON THE SITE BEING LEVEL.

Materials.

SLAM POST- 80 x 80 SHS
HANG POST- 80 x 80 SHS
OR 100 x 100 SHS - SEE TABLE
RAILS - 50 x 25 RHS
STILES - 60 x 40 RHS
PALES - Ø19 CHS

Finish.

GALVANISED TO BS EN ISO 1461:1999
POWDER COATED IF REQUIRED



Jacksons
FINE FENCING

Stowling Common
Near Ashford,
KENT. TN25 6BN
Telephone : 01233 750393
Fax: 01233 750403
Int. Tel : +44 (0)1233 750393

26/10/2016

Original Issue

Drawn BW
Date 26/10/2016
Checked CJ
Size A3
Scale NTS U.O.S

TITLE
SALES DRAWING FOR
1 & 1.25MH SENTRY 'RESIDENTIAL' S/L GATES
CUSTOMER
Drawing No.
J6/02063
1 OF 4
ACK No.

This Drawing Is The Property Of H.S. Jackson & Son (Fencing) Ltd.
And May Not Be Copied Or Reproduced In Any Way Without Prior Written Permission.