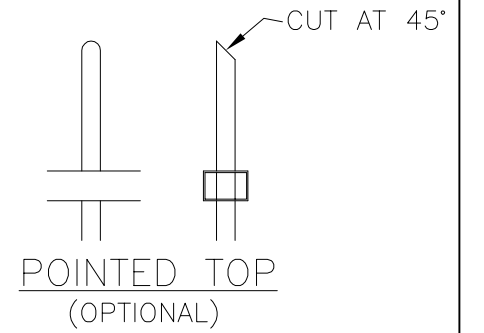
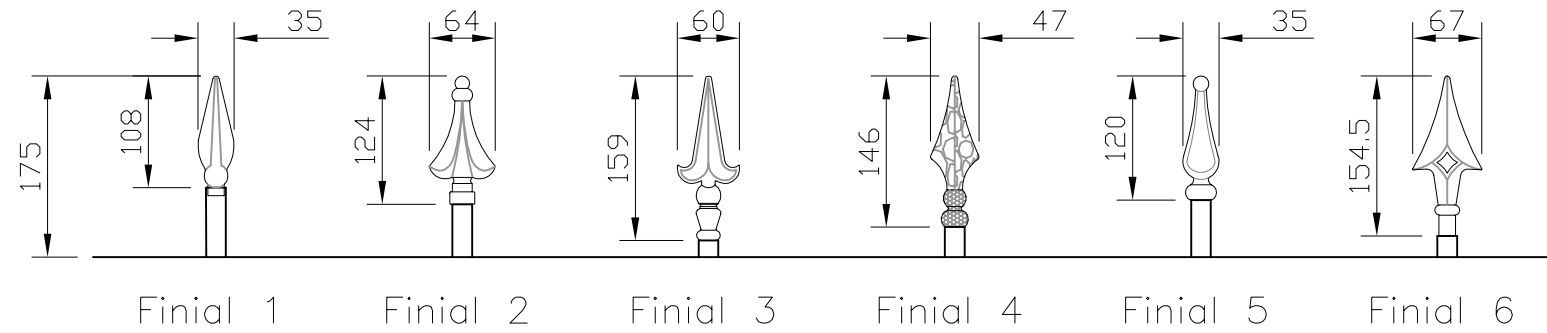
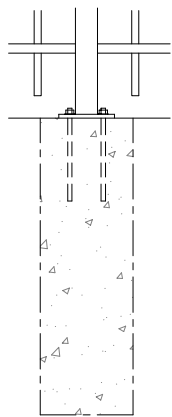
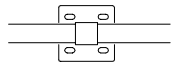


DO NOT SCALE – IF IN DOUBT ASK

OPTIONAL FINIAL TOPPINGS



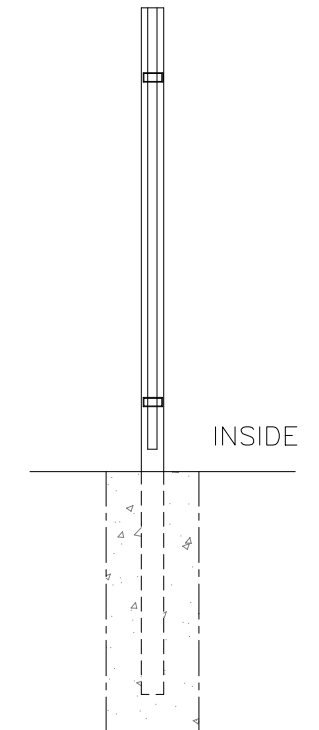
150 x 10 thk x 150  
BASEPLATE DRILLED FOR  
4 No. M12 CHEMICAL FIXINGS



BASEPLATED POSTS  
(OPTIONAL)



FLAT TOP PALES AS STANDARD.  
(CAN BE PLUGGED IF REQUIRED)  
POINTED TOP AVAILABLE IF REQUIRED  
BUT ONLY IF OVERALL FENCE HEIGHT  
IS 1.5m MIN FROM GROUND LEVEL



NOTES.

ALL DIMENSIONS ARE IN mm (U.N.O)  
GAPS UNDERNEATH FENCING ARE  
NOMINAL DUE TO GROUND LEVELS.  
FOUNDATION SIZES ARE DEPENDANT  
UPON SITE CONDITIONS.

Materials.

POSTS – 60 x 60 x 2 RHS  
RAILS – 50 x 25 x 2 RHS  
PALES – Ø19 x 1.5 CHS

Finish.

GALVANISED TO BS EN ISO 1461:1999  
POWDER COATED: IF REQUIRED

**Jacksons**  
**FINE FENCING**

Stowing Common  
Near Ashford,  
KENT. TN25 6BN  
Telephone : 01233 750393  
Fax: 01233 750403  
Int. Tel : +44 (0)1233 750393

② 09/01/14 Finial Heights Added  
① 30/10/12 Finials Added  
① 14/09/10 ORIGINAL ISSUE

Drawn CP

Date 14/09/10

Checked

Size A3 Scale 1:20 U.O.S

TITLE 1m – 1.25m HIGH BARB. IMPERIAL  
'RESIDENTIAL' FENCING SALES DRAWING

CUSTOMER

ACK No.

Drawing No.

00 J1/01064

Sheet 8a of 16

This Drawing Is The Property Of H.S. Jackson & Son (Fencing) Ltd.  
And May Not Be Copied Or Reproduced In Any Way Without Prior Written Permission.