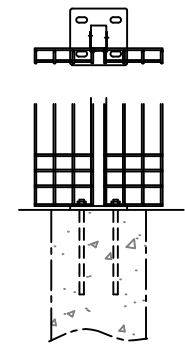
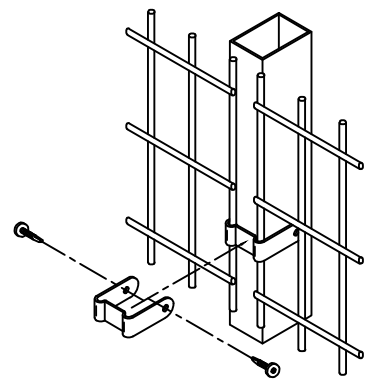


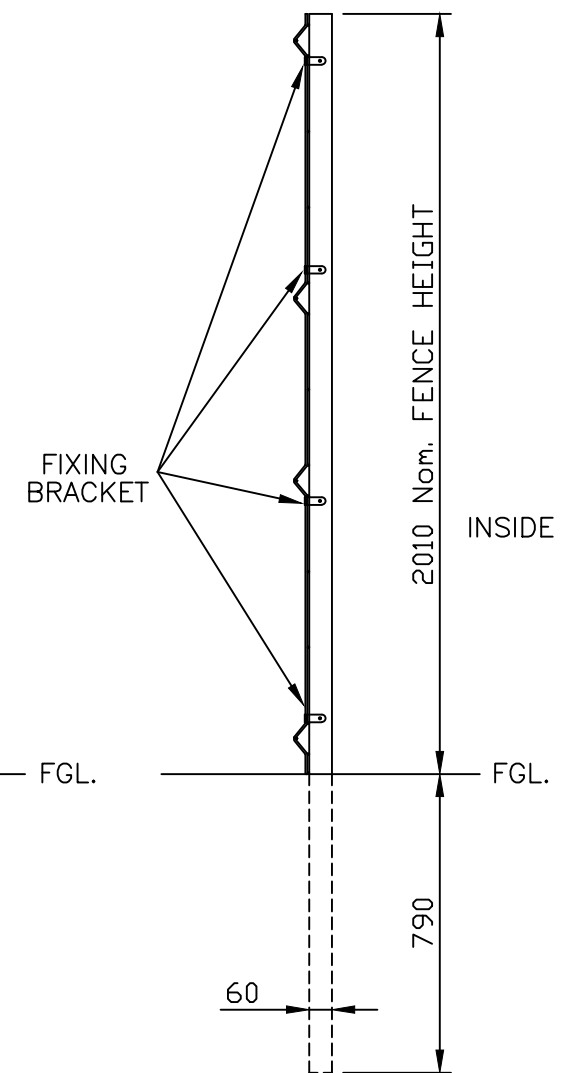
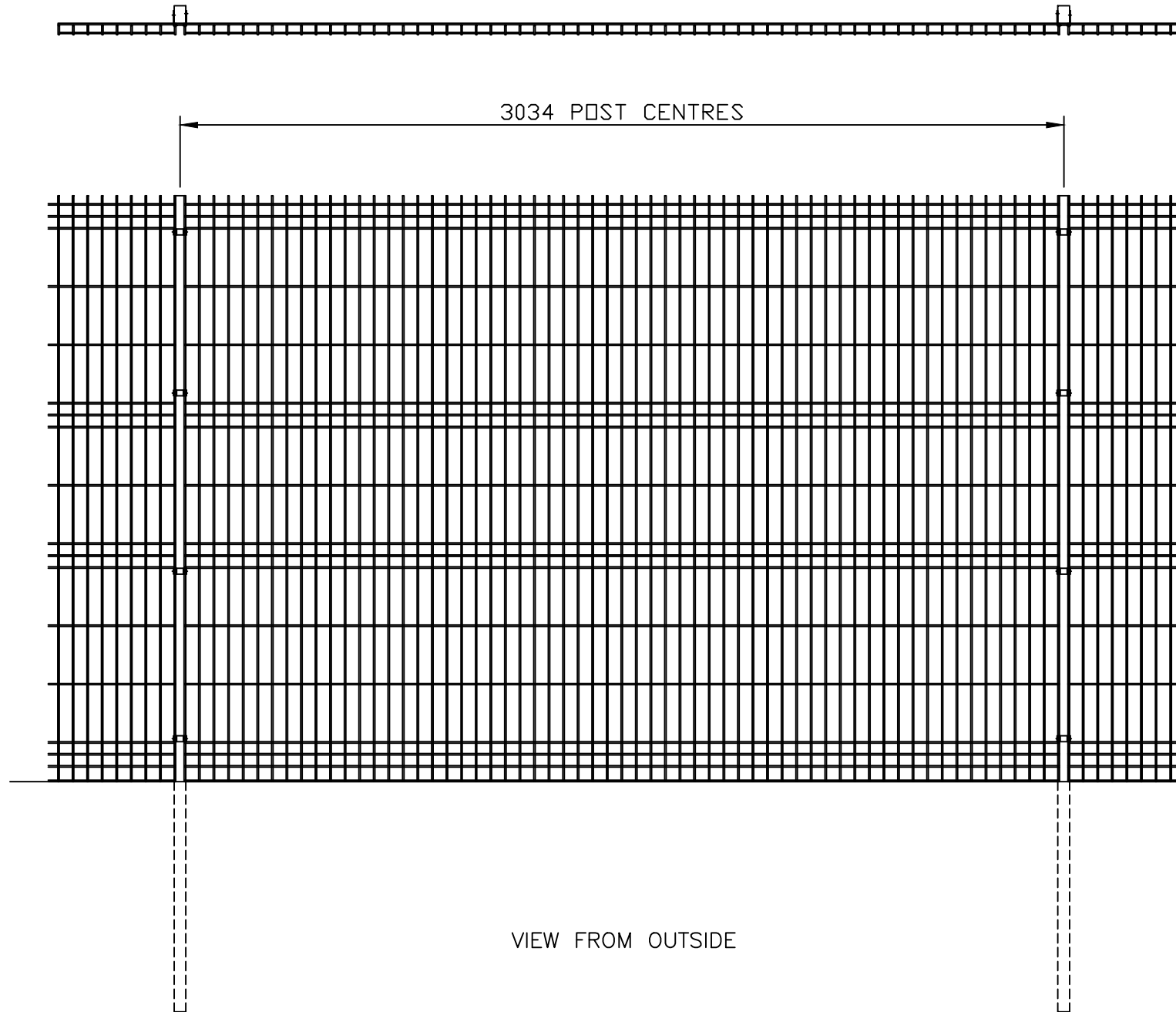
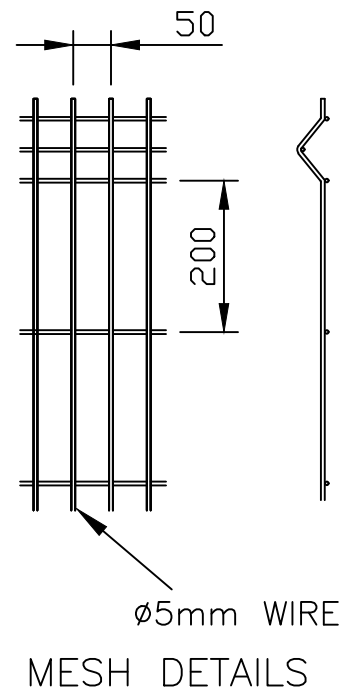
150 x 10 thk x 150  
BASEPLATE DRILLED FOR  
4 No. M12 CHEMICAL FIXINGS



BASEPLATED POSTS  
(OPTIONAL)



FIXING BRACKET  
DETAIL



**NOTES.**

ALL DIMENSIONS ARE IN mm (UNO)  
GAPS UNDER GATES ARE  
NOMINAL DUE TO GROUND LEVELS.

**MATERIALS.**

POST: 60 x 40 RHS (TYPICAL)  
(POSTS ASSESSED TO SITE LOCATION)

**FINISH.**

GALVANISED TO BS EN ISO 1461  
POWDER COATED: IF REQUESTED

**Jacksons  
Fencing**

Stowting Common, Near Ashford,  
Kent. TN25 6BN  
Telephone: 01233 750393  
Fax: 01233 750403  
www.jacksons-fencing.co.uk  
www.jacksons-security.co.uk

This Drawing Is The Property Of H.S. Jackson & Son (Fencing) Ltd, And May  
Not Be Copied Or Reproduced In Any Way Without Prior Written Permission.

DO NOT SCALE – IF IN DOUBT ASK

- ⑦ 19/02/2020 NEW BORDER + NOTES UPDATED
- ⑥ 25/06/2018 BASEPLATE OPTION
- ⑤ 07/02/15 1 No. Extra Clip added
- ④ 25/02/11 50mm Wire Centres
- ③ 04/01/10 Panels Corrected

Drawn	S.leeper
Date	15/06/2006
Checked	Chris J
Size	A3
Scale	1:20 U.O.S

TITLE	SALES DRAWING
	2m HIGH EUROGUARD REGULAR FENCE
CUSTOMER	
ACK No.	
Drawing No.	J6/01058
	Sheet 3