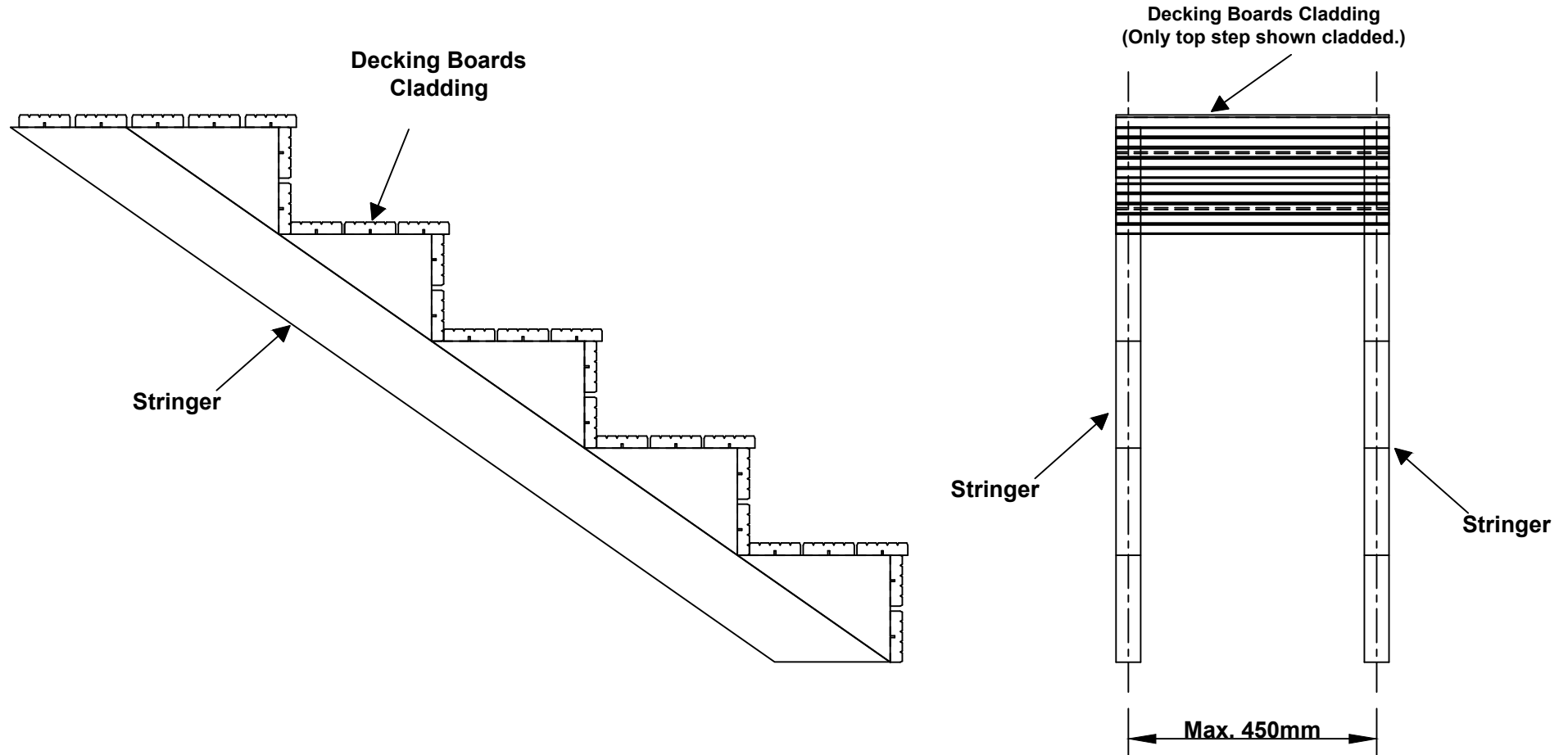


DO NOT SCALE – IF IN DOUBT ASK  
 ALL DIMENSIONS ARE IN MILLIMETERES (mm)  
 MANUFACTURING TOLERANCE IS +/-5mm  
 ALL DIMENSIONS ARE FINISHED SIZES.  
 ALL TIMBER USED IS 45mm THK.  
 STRINGERS TO BE PLACED MAX. 450mm APART.

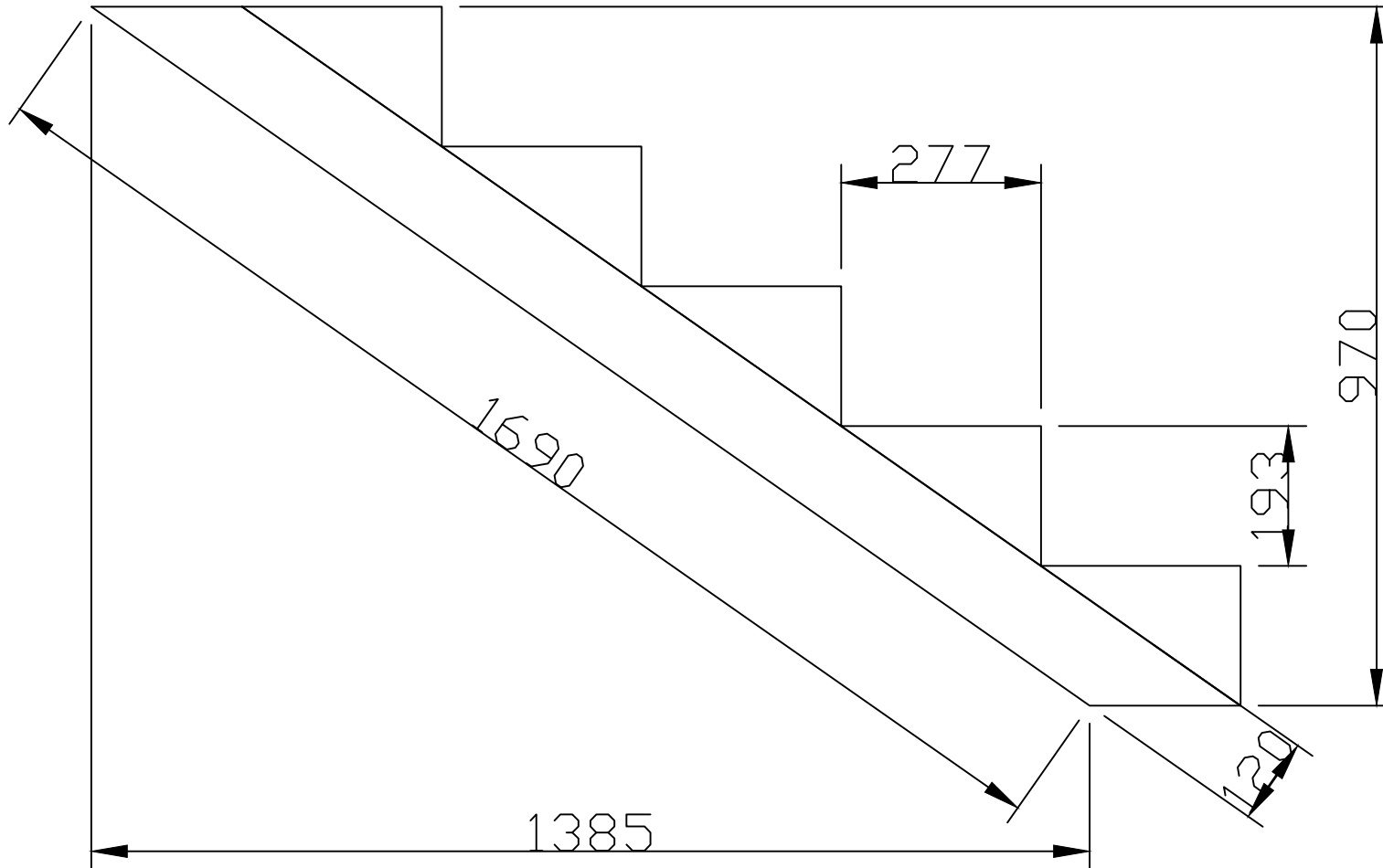
# Decking Stringer Staircase Arrangement



<h2 style="margin: 0;">Jacksons</h2> <div style="border: 1px solid black; padding: 2px; display: inline-block;">FINE FENCING</div>	Stowting Common Near Ashford, KENT. TN25 6BN Telephone : 01233 750393 Fax: 01233 750403 Int. Tel : +44 (0)1233 750393	Drawn ALI Date 05/05/15 Checked DD Size A4      Scale U.O.S		<b>TITLE</b> Decking Stringer Staircase Arrangement (For Website)	
	This Drawing Is The Property Of H.S. Jackson & Son (Fencing) Ltd. And May Not Be Copied Or Reproduced In Any Way Without Prior Written Permission.	05/05/2015 ORIGINAL ISSUE	CUSTOMER ACK No.		<b>Drawing No.</b> J7/01204 1 OF 5

DO NOT SCALE – IF IN DOUBT ASK  
 ALL DIMENSIONS ARE IN MILLIMETERES (mm)  
 MANUFACTURING TOLERANCE IS +/-5mm  
 ALL DIMENSIONS ARE FINISHED SIZES.  
 ALL TIMBER USED IS 45mm THK.  
 STRINGERS TO BE PLACED MAX. 450mm APART.

# 5 TREAD DECKING STRINGER



**Jacksons**  
**FINE FENCING**

Stowting Common  
 Near Ashford,  
 KENT. TN25 6BN  
 Telephone : 01233 750393  
 Fax: 01233 750403  
 Int. Tel : +44 (0)1233 750393

This Drawing Is The Property Of H.S. Jackson & Son (Fencing) Ltd.  
 And May Not Be Copied Or Reproduced In Any Way Without Prior Written Permission.

05/05/2015 ORIGINAL ISSUE

Drawn ALI

Date 05/05/15

Checked DD

Size  
 A4

Scale  
 U.O.S

TITLE

5 Tread Decking Stringer  
 (For Website)

CUSTOMER

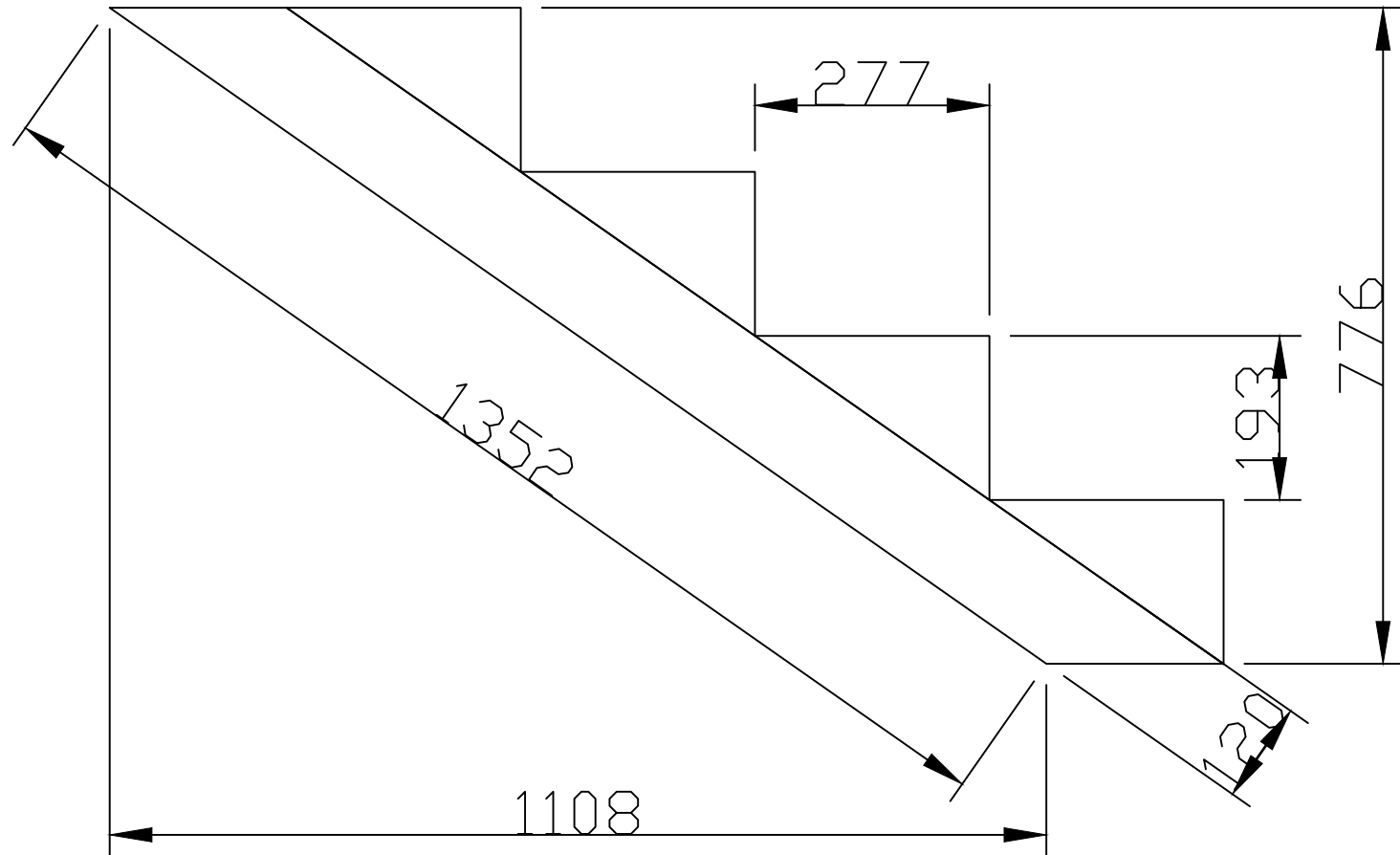
ACK No.

Drawing No.

J7/01204  
 2 OF 5

DO NOT SCALE – IF IN DOUBT ASK  
 ALL DIMENSIONS ARE IN MILLIMETERES (mm)  
 MANUFACTURING TOLERANCE IS +/-5mm  
 ALL DIMENSIONS ARE FINISHED SIZES.  
 ALL TIMBER USED IS 45mm THK.  
 STRINGERS TO BE PLACED MAX. 450mm APART.

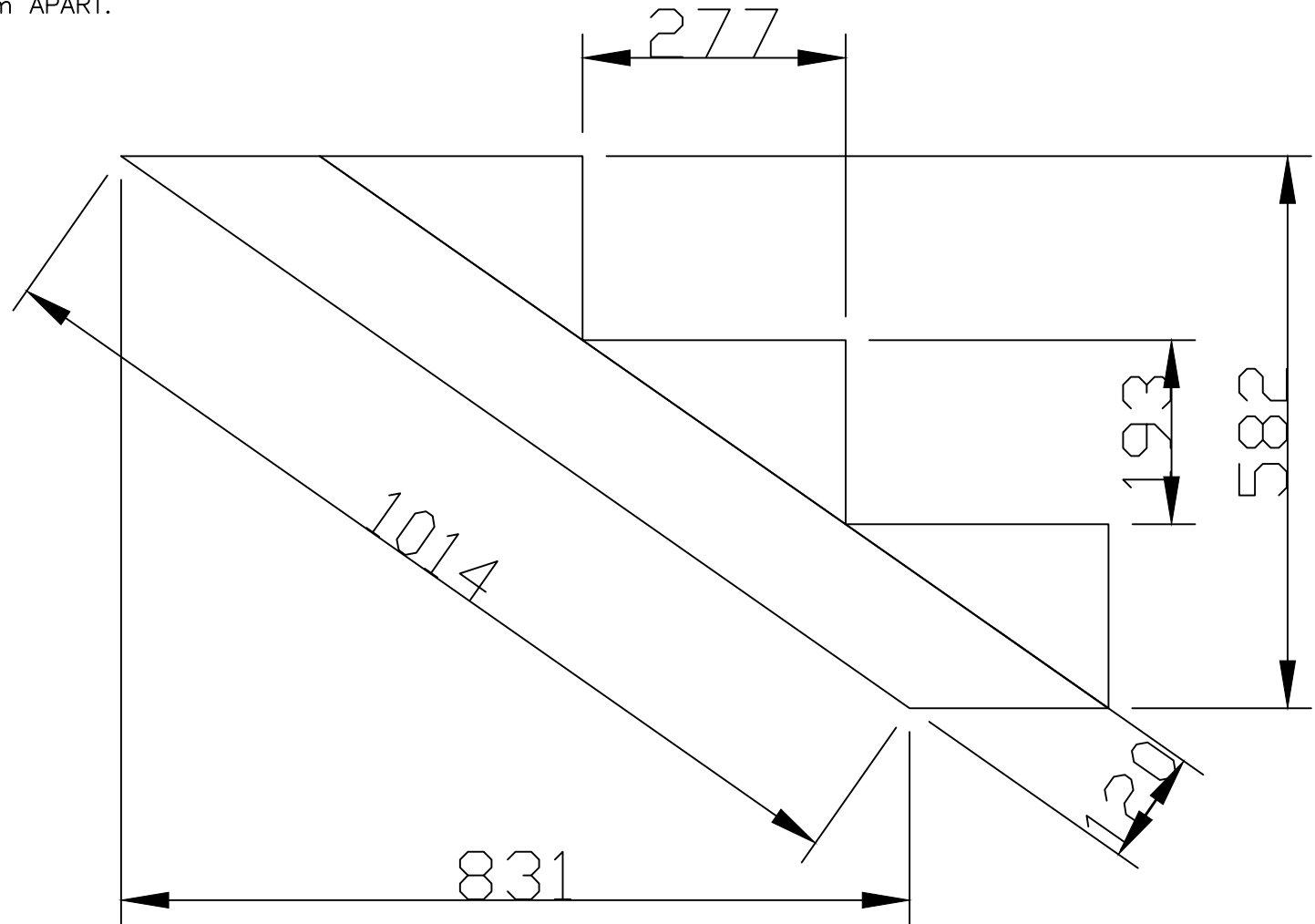
# 4 TREAD DECKING STRINGER



<b>Jacksons</b> <b>FINE FENCING</b>	Stowting Common Near Ashford, KENT. TN25 6BN Telephone : 01233 750393 Fax: 01233 750403 Int. Tel : +44 (0)1233 750393	Drawn ALI		TITLE 4 Tread Decking Stringer (For Website)
		Date 05/05/15		
This Drawing Is The Property Of H.S. Jackson & Son (Fencing) Ltd. And May Not Be Copied Or Reproduced In Any Way Without Prior Written Permission.	05/05/2015 ORIGINAL ISSUE	Checked DD		CUSTOMER  ACK No.
		Size A4	Scale U.O.S	
				Drawing No. <b>J7/01204</b> 3 OF 5

DO NOT SCALE – IF IN DOUBT ASK  
 ALL DIMENSIONS ARE IN MILLIMETERES (mm)  
 MANUFACTURING TOLERANCE IS +/-5mm  
 ALL DIMENSIONS ARE FINISHED SIZES.  
 ALL TIMBER USED IS 45mm THK.  
 STRINGERS TO BE PLACED MAX. 450mm APART.

# 3 TREAD DECKING STRINGER



**Jacksons**  
**FINE FENCING**

Stowting Common  
 Near Ashford,  
 KENT. TN25 6BN  
 Telephone : 01233 750393  
 Fax: 01233 750403  
 Int. Tel : +44 (0)1233 750393

This Drawing Is The Property Of H.S. Jackson & Son (Fencing) Ltd.  
 And May Not Be Copied Or Reproduced In Any Way Without Prior Written Permission.

05/05/2015 ORIGINAL ISSUE

Drawn	ALI
Date	05/05/15
Checked	DD
Size	A4
Scale	U.O.S

TITLE  
 3 Tread Decking Stringer  
 (For Website)

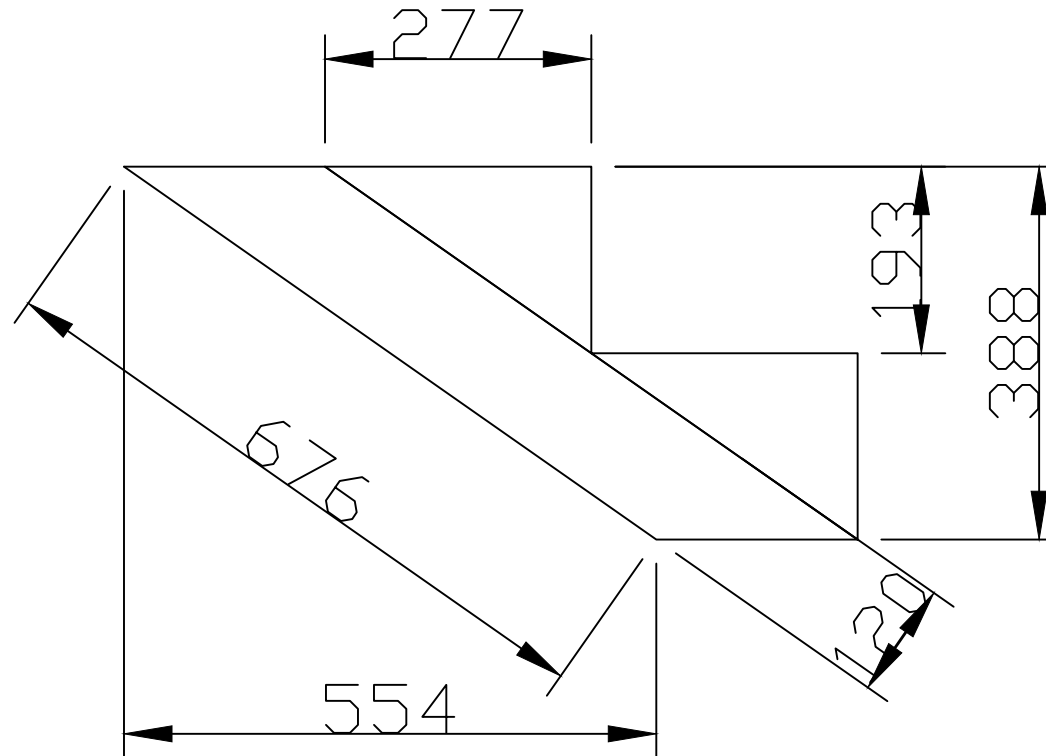
CUSTOMER

ACK No.

Drawing No.  
 J7/01204  
 4 OF 5

DO NOT SCALE – IF IN DOUBT ASK  
 ALL DIMENSIONS ARE IN MILLIMETERES (mm)  
 MANUFACTURING TOLERANCE IS +/-5mm  
 ALL DIMENSIONS ARE FINISHED SIZES.  
 ALL TIMBER USED IS 45mm THK.  
 STRINGERS TO BE PLACED MAX. 450mm APART.

# 2 TREAD DECKING STRINGER



<b>Jacksons</b> <b>FINE FENCING</b>	Stowting Common Near Ashford, KENT. TN25 6BN Telephone : 01233 750393 Fax: 01233 750403 Int. Tel : +44 (0)1233 750393	Drawn ALI	TITLE 2 Tread Decking Stringer (For Website)
		Date 05/05/15	
This Drawing Is The Property Of H.S. Jackson & Son (Fencing) Ltd. And May Not Be Copied Or Reproduced In Any Way Without Prior Written Permission.		Checked DD	CUSTOMER  Drawing No. <b>J7/01204</b> 5 OF 5
		Size A4 Scale U.O.S	
© 05/05/2015 ORIGINAL ISSUE			