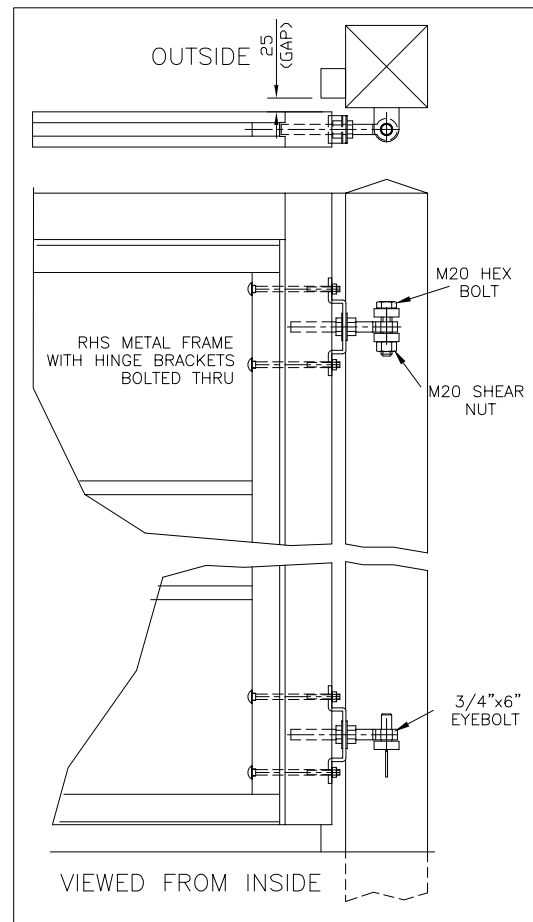
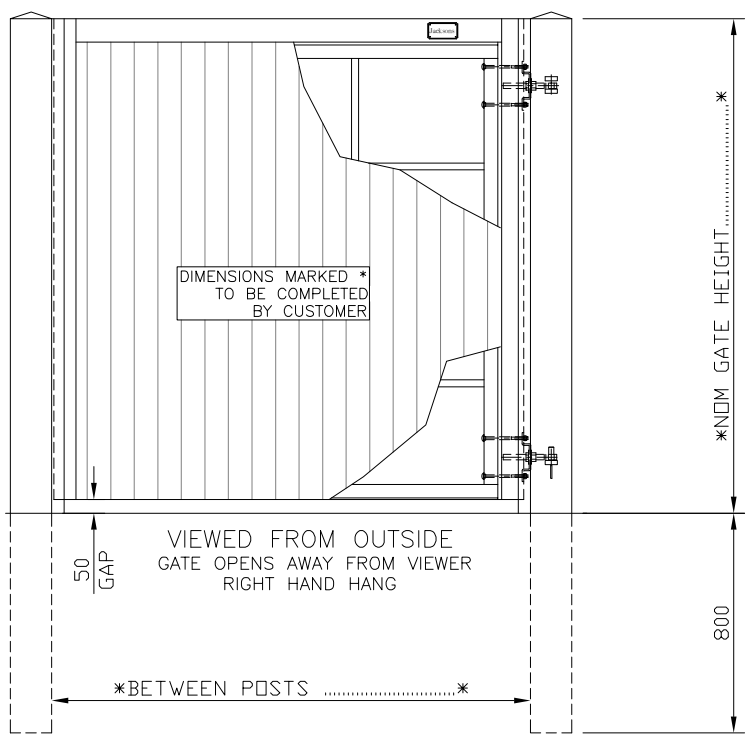
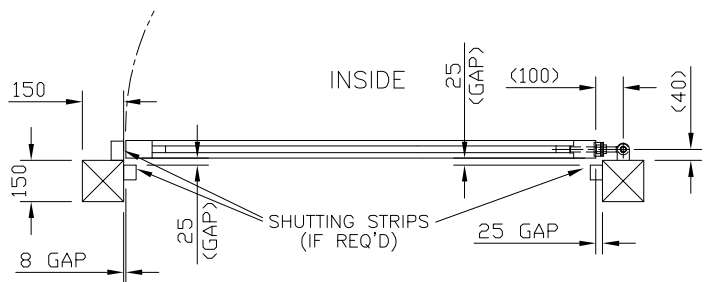
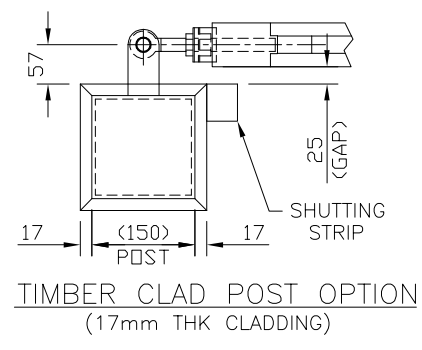


CUSTOMER NAME: _____
 ACK No: _____
 SALESMAN: _____
 LEFT OR RIGHT HAND HANG: _____
 SPECIAL INSTRUCTIONS: _____



NOTES.

ALL DIMENSIONS ARE IN mm (U.N.O)
 GAP UNDERNEATH GATES IS
 BASED UPON THE SITE BEING LEVEL.

Materials.

GATE POSTS - 150 x 150 x 4 RHS

Finish.

GALVANISED TO BS EN ISO 1461:1999
 TIMBER: JAKCURED

JACKSONS RESERVE THE RIGHT TO
 CHANGE THE STANDARD DESIGN TO
 IMPROVE THE PRODUCT AT ANY TIME

GATES CAN BE SUPPLIED
 WITH OPTIONAL FITTINGS PACK,
 WHICH INCLUDES:
 RING LATCH
 DROPBOLT + RECEIVER
 STOP POST + CABIN HOOK

Drawn NM	Checked	12 15/12/09	S/STRIP GAP 25mm
Date 24/09/01	Size A3	11 28/11/09	Stiles Changed
	Scale NTS	10 26/08/09	CGS NOT OAK/TXT
	U.O.S		

DO NOT SCALE - IF IN DOUBT ASK

Jacksons
FINE FENCING

Stowting Common, Near Ashford,
 KENT. TN25 6BN
 Telephone : 01233 750393
 Fax: 01233 750403
 Int. Tel : +44 (0)1233 750393

TITLE SALES DRAWING FOR RYE COURTYARD
 GATE WITH RHS METAL POSTS

CUSTOMER
 Drawing No.
 J7/02134s
 ACK No.

This Drawing Is The Property Of H.S. Jackson & Son (Fencing) Ltd.
 And May Not Be Copied Or Reproduced In Any Way Without Prior Written Permission.