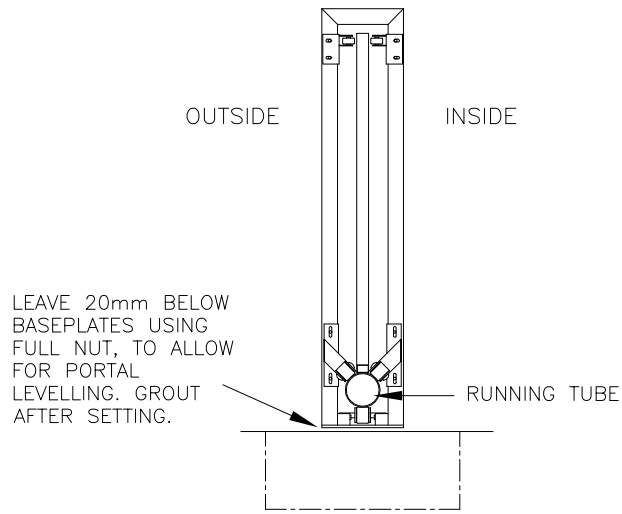
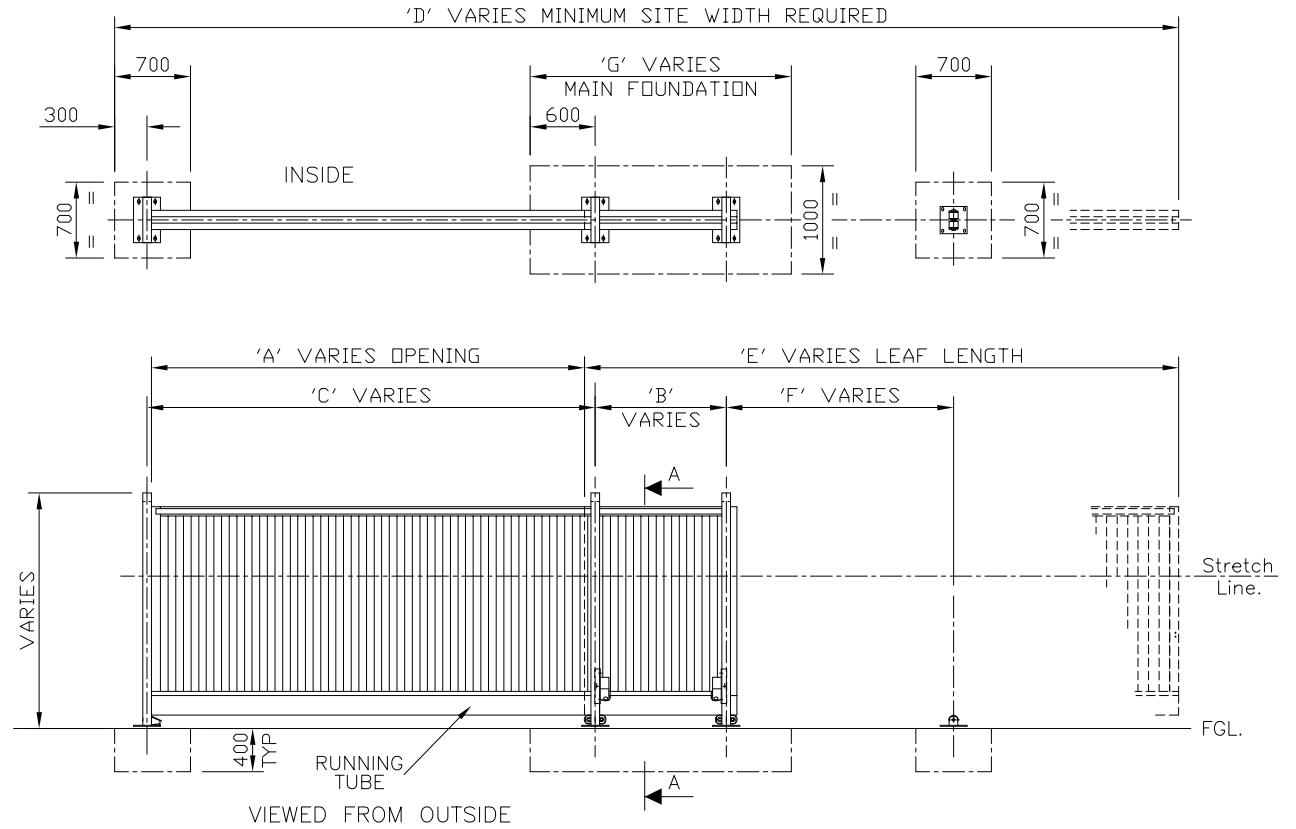


DO NOT SCALE – IF IN DOUBT ASK

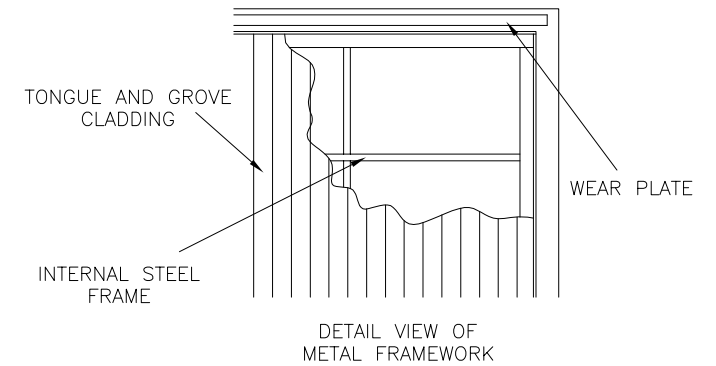


SECTION A-A



VIEWED FROM OUTSIDE

A	NOMINAL CLEAR OPENING	2.0M	3.0M	4.0M	5.0M	6.0M	7.0M	8.0M	9.0M	10.0M
B	Hanging Portal Centres	660	1010	1210	1560	1760	1960	2460	3410	3760
C	Hanging/Closing Portal Centres	2140	3140	4140	5140	6140	7140	8140	9140	10140
D	O/All Site Length Required	5280	7630	9830	12180	14380	16580	19080	22130	24480
E	Total Length Of Gate Leaf	2940	4290	5490	6840	8040	9240	10740	12690	14040
F	Distance To Support Wheel	1040	1600	2100	2600	3100	3600	4100	4500	5000
G	Main Portal Foundation Size	1860	2210	2410	2760	2960	3160	3660	4160	4960



**Jacksons**  
**FINE FENCING**

Stowting Common  
Near Ashford,  
KENT. TN25 6BN  
Telephone : 01233 750393  
Fax: 01233 750403  
Int. Tel : +44 (0)1233 750393

This Drawing Is The Property Of H.S. Jackson & Son (Fencing) Ltd.  
And May Not Be Copied Or Reproduced In Any Way Without Prior Written Permission.



Original Issue

Drawn S.Leeper  
Date 20/06/06  
Checked  
Size A3  
Scale N.T.S  
U.O.S

TITLE  
RYE STYLE SINGLE LEAF  
CANTILEVER SLIDING GATE  
CUSTOMER  
ACK No.  
Drawing No.  
J7/03002