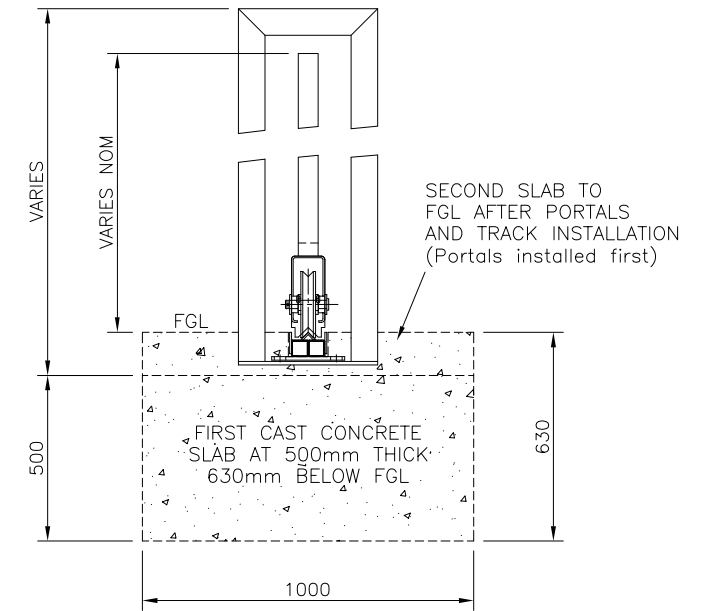
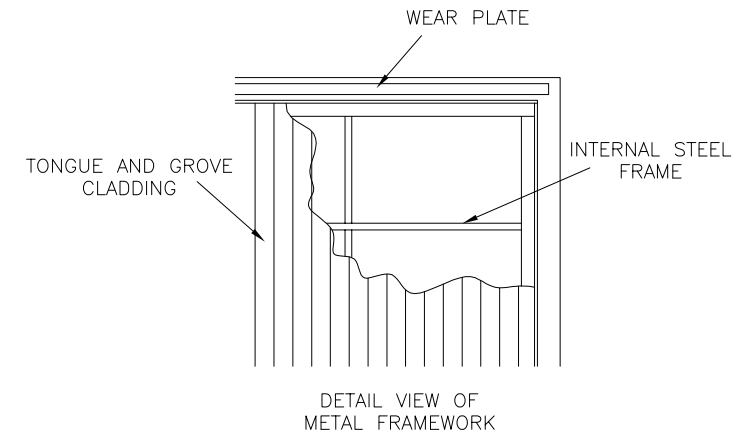
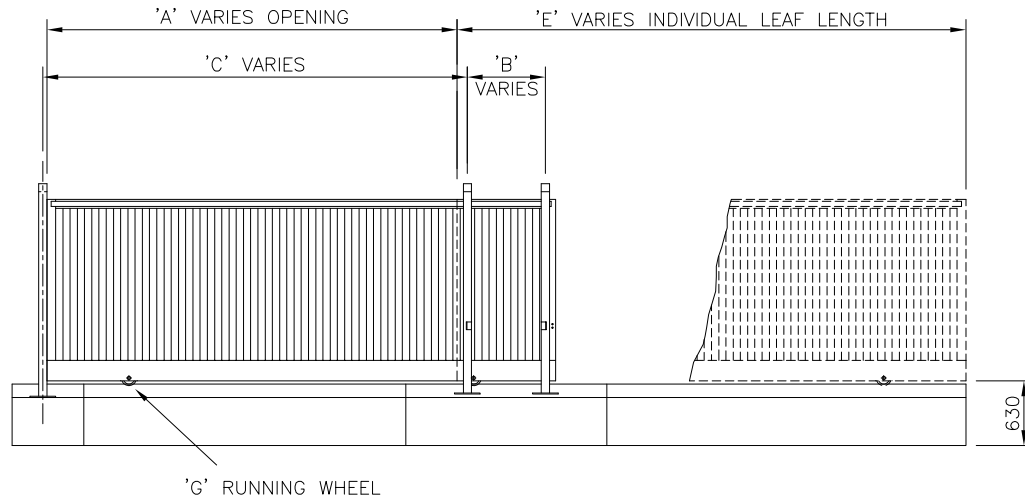
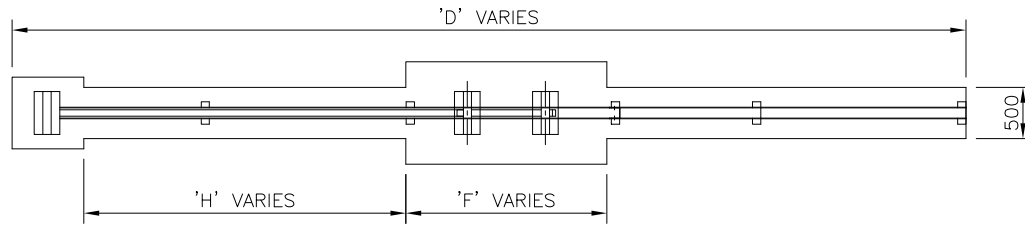


DO NOT SCALE – IF IN DOUBT ASK



SECTION THRU MAIN FOUNDATION

| A | NOMINAL CLEAR OPENING | 3.0M | 4.0M | 5.0M | 6.0M | 7.0M | 8.0M | 9.0M | 10.0M | 11.0M | 12.0M | 13.0M | 14.0M | 15.0M |
|---|--------------------------------|------|------|-------|-------|-------|-------|-------|-------|-------|-------|-------|-------|-------|
| B | Hanging Portal Centres | 760 | 760 | 960 | 1160 | 1360 | 1560 | 1760 | 1960 | 2160 | 2360 | 2560 | 2760 | 2960 |
| C | Hanging/Closing Portal Centres | 3140 | 4140 | 5140 | 6140 | 7140 | 8140 | 9140 | 10140 | 11140 | 12140 | 13140 | 14140 | 15140 |
| D | O/All Site Length Required | 7300 | 9380 | 11580 | 13780 | 15980 | 18180 | 20380 | 22580 | 24780 | 26980 | 29180 | 31380 | 33580 |
| E | Total Length Of Gate Leaf | 4040 | 5040 | 6240 | 7440 | 8640 | 9840 | 11040 | 12240 | 13440 | 14640 | 15840 | 17040 | 18340 |
| F | Main Portal Foundation | 1960 | 1960 | 2160 | 2360 | 2560 | 2760 | 2960 | 3160 | 3360 | 3560 | 3760 | 3960 | 4160 |
| G | No of Running Wheels | 2 | 2 | 2 | 2 | 2 | 2 | 2 | 3 | 3 | 3 | 3 | 3 | 3 |
| H | Main Foundations Gap | 2140 | 3140 | 4140 | 5140 | 6140 | 7140 | 8140 | 9140 | 10140 | 11140 | 12140 | 13140 | 14140 |

Jacksons
FINE FENCING

Stowting Common
Near Ashford,
KENT. TN25 6BN
Telephone : 01233 750393
Fax: 01233 750403
Int. Tel : +44 (0)1233 750393

This Drawing Is The Property Of H.S. Jackson & Son (Fencing) Ltd.
And May Not Be Copied Or Reproduced In Any Way Without Prior Written Permission.



Original Issue

Drawn S.Leeper
Date 20/06/06
Checked
Size A3
Scale N.T.S
U.O.S

TITLE RYE STYLE SINGLE LEAF
TRACKED SLIDING GATE

CUSTOMER
ACK No.

Drawing No.
J7/03001