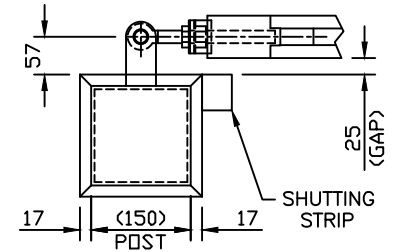


CUSTOMER NAME: _____
 ACK No: _____
 SALESMAN: _____
 L/H or R/H TO OPEN FIRST: _____
 SPECIAL INSTRUCTIONS: _____

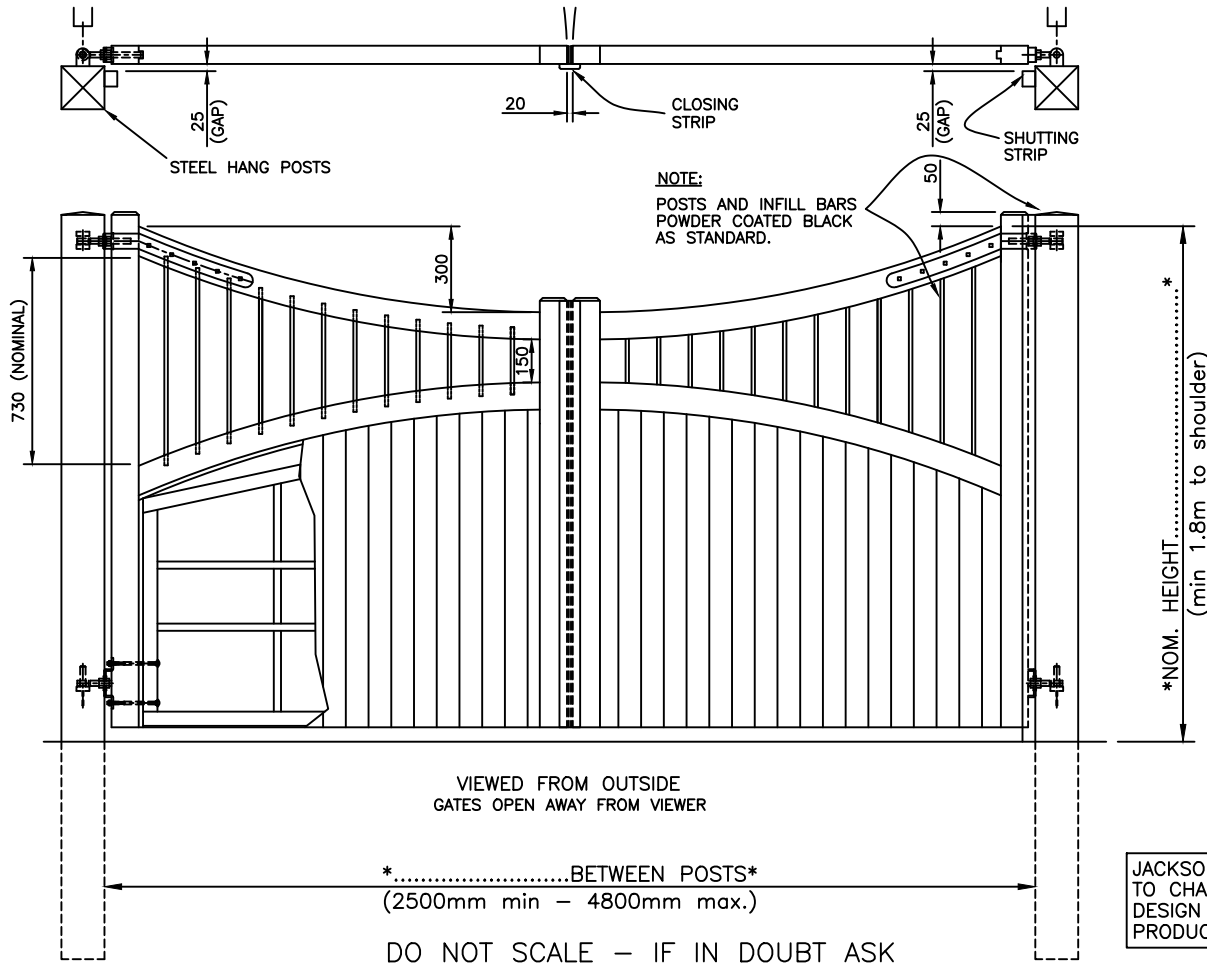
NOTES.

ALL DIMENSIONS ARE IN mm (U.N.O)
 GAP UNDERNEATH GATES IS
 BASED UPON THE SITE BEING LEVEL.
Materials.
 GATE POSTS - 150 x 150 x 4 RHS
Finish.
 FRAME: GALVANISED TO BS EN ISO 1461:1999
 POSTS & BARS: GALVANISED & PPC BLACK 9005
 TIMBER: JAKCURED

GATES CAN BE SUPPLIED
 WITH OPTIONAL FITTINGS PACK,
 WHICH INCLUDES:
 RING LATCH
 DROPBOLTS + RECEIVERS
 STOP POSTS + CABIN HOOKS
 CENTRE GATE STOP

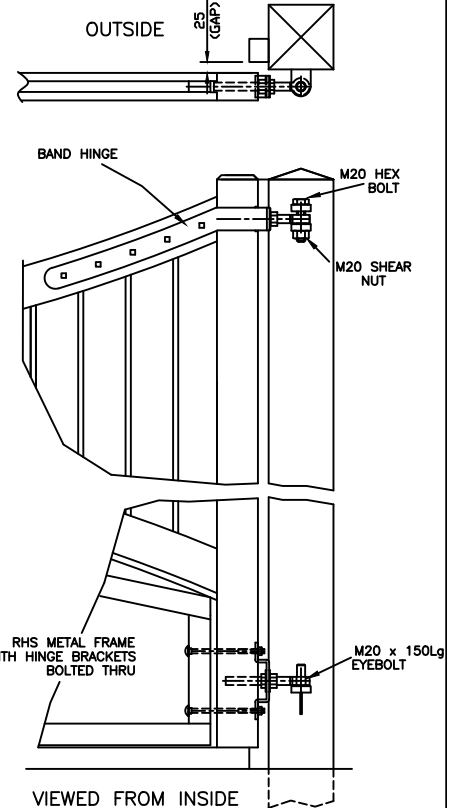


TIMBER CLAD POST OPTION
 (17mm THK CLADDING)
 (INDICATE IF NEEDED)



NOTE:
 POSTS AND INFILL BARS
 POWDER COATED BLACK
 AS STANDARD.

JACKSONS RESERVE THE RIGHT
 TO CHANGE THE STANDARD
 DESIGN TO IMPROVE THE
 PRODUCT AT ANY TIME



Jacksons
FINE FENCING

Stowing Common
 Near Ashford,
 KENT. TN25 6BN
 Telephone : 01233 750393
 Fax: 01233 750403
 Int. Tel : +44 (0)1233 750393

- (5) 01/12/15 BETWEEN POST INCREASED
- (4) 13/01/10 STILE & RAIL WIDTHS
- (3) 16/12/09 S/STRIP CHANGE TO 25mm
- (2) 26/08/09 CGS NOT OAK/TXT
- (1) 02/06/09 DIMENSIONS AMENDED
- (0) 09/05/09 ORIGINAL ISSUE

Drawn SL
 Date 09/05/09
 Checked
 Size A3 Scale N.T.S U.O.S

TITLE SALES DRAWING FOR CATHEDRAL
 COURTYARD GATES

CUSTOMER

Drawing No.
 09 J7/02190

ACK No.