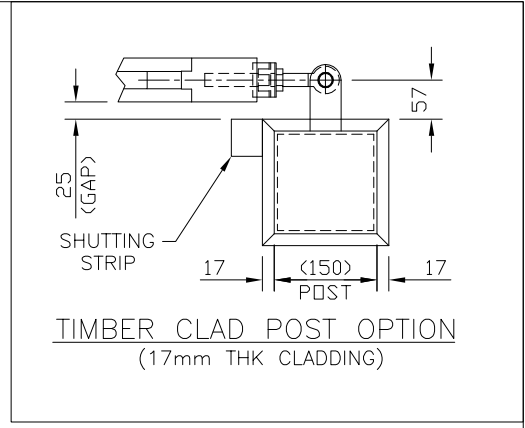
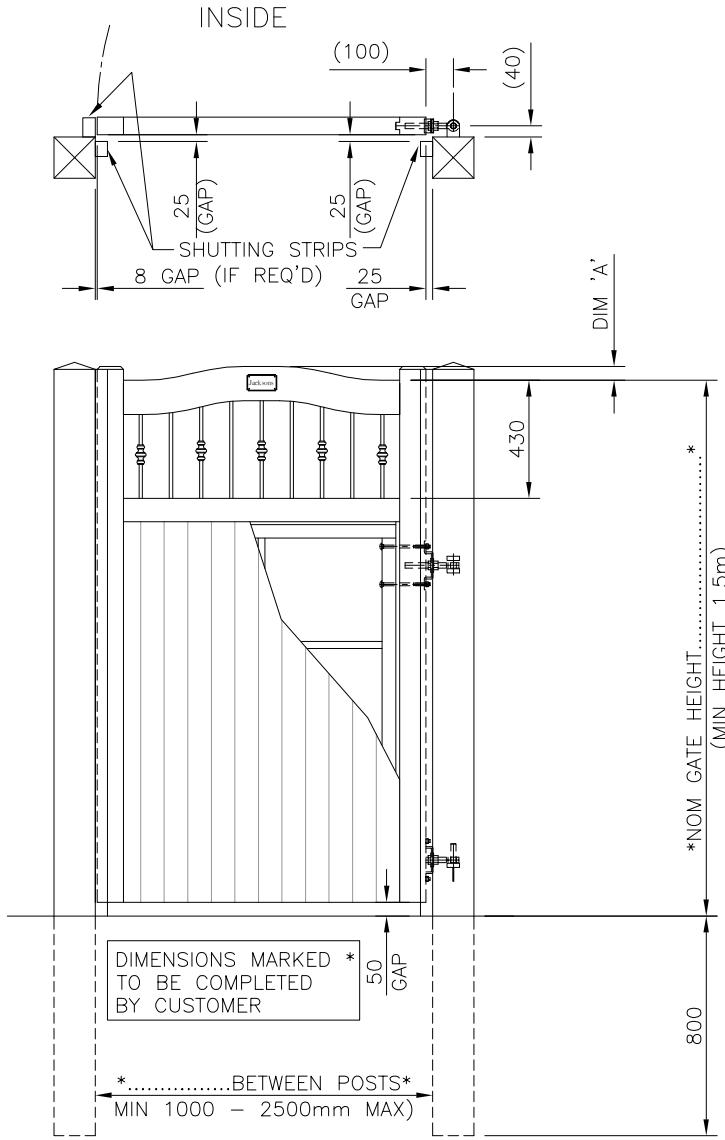


CUSTOMER NAME: \_\_\_\_\_  
 ACK No: \_\_\_\_\_  
 SALESMAN: \_\_\_\_\_  
 Left or Right Hand Hanging: \_\_\_\_\_  
 SPECIAL INSTRUCTIONS: \_\_\_\_\_



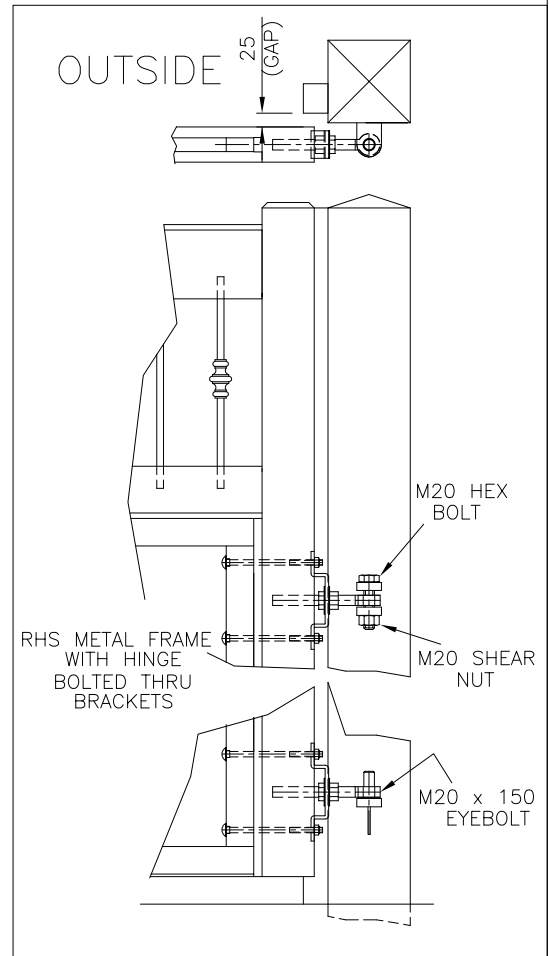
**TIMBER CLAD POST OPTION**  
 (17mm THK CLADDING)



VIEWED FROM OUTSIDE  
 GATE OPENS AWAY FROM VIEWER  
 RIGHT HAND HANG (AS DRAWN)

CURVED RAIL HEIGHT RANGE		DIM 'A'
BETWEEN POSTS		
FROM 1000mm TO 1299mm		50 mm
FROM 1300mm TO 1599mm		80 mm
FROM 1600mm TO 2500mm		120 mm

JACKSONS RESERVE THE RIGHT TO CHANGE THE STANDARD DESIGN TO IMPROVE THE PRODUCT AT ANY TIME



**NOTES.**

ALL DIMENSIONS ARE IN mm (U.N.O)  
 GAP UNDERNEATH GATE IS NOMINAL DUE TO GROUND LEVELS.

Materials.

GATE POSTS - 150 x 150 x 4 SHS

Finish.

GALVANISED TO BS EN ISO 1461:1999  
 TIMBER: JAKCURED

GATES CAN BE SUPPLIED WITH OPTIONAL FITTINGS PACK, WHICH INCLUDES:  
 RING LATCH  
 DROPBOLT + RECEIVER  
 STOP POST + CABIN HOOK

Drawn WB	Checked	(4) 15/12/09	S/STRIP GAP 25mm
Date 19/12/06	Size A3	(3) 12/11/09	STILE & REBATE
	Scale	(2) 02/09/09	TEXT
	NTS U.O.S		

DO NOT SCALE - IF IN DOUBT ASK

**Jacksons**  
**FINE FENCING**

Stowting Common, Near Ashford,  
 KENT. TN25 6BN  
 Telephone : 01233 750393  
 Fax: 01233 750403  
 Int. Tel : +44 (0)1233 750393

TITLE SALES DRAWING FOR HYTHE SINGLE GATE WITH TOPPER RAILING INFILL

CUSTOMER	Drawing No. 06 J7/02181
ACK No.	

This Drawing Is The Property Of H.S. Jackson & Son (Fencing) Ltd.  
 And May Not Be Copied Or Reproduced In Any Way Without Prior Written Permission.