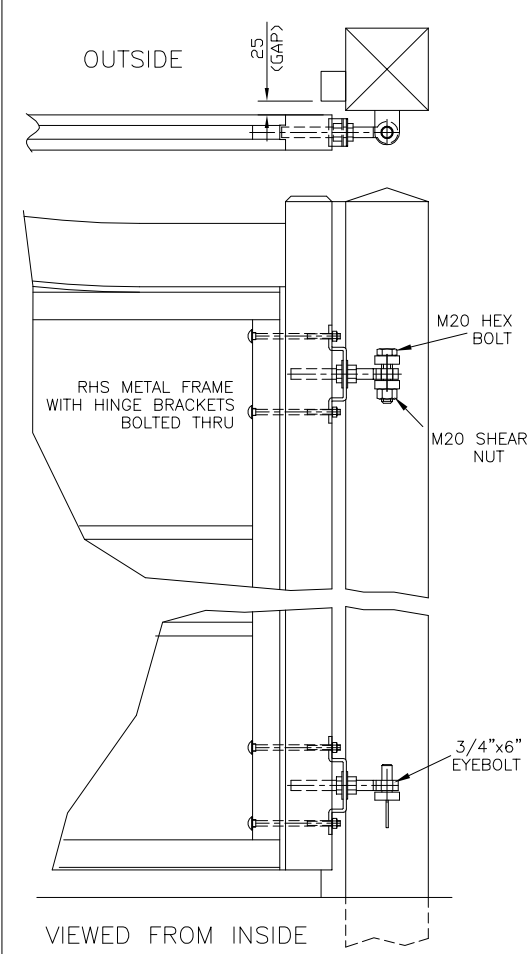
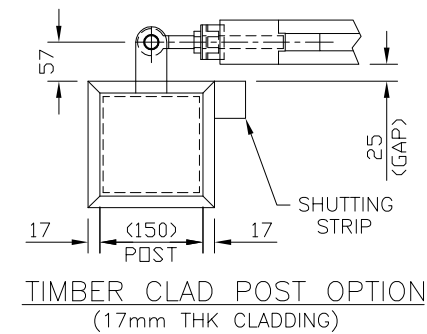
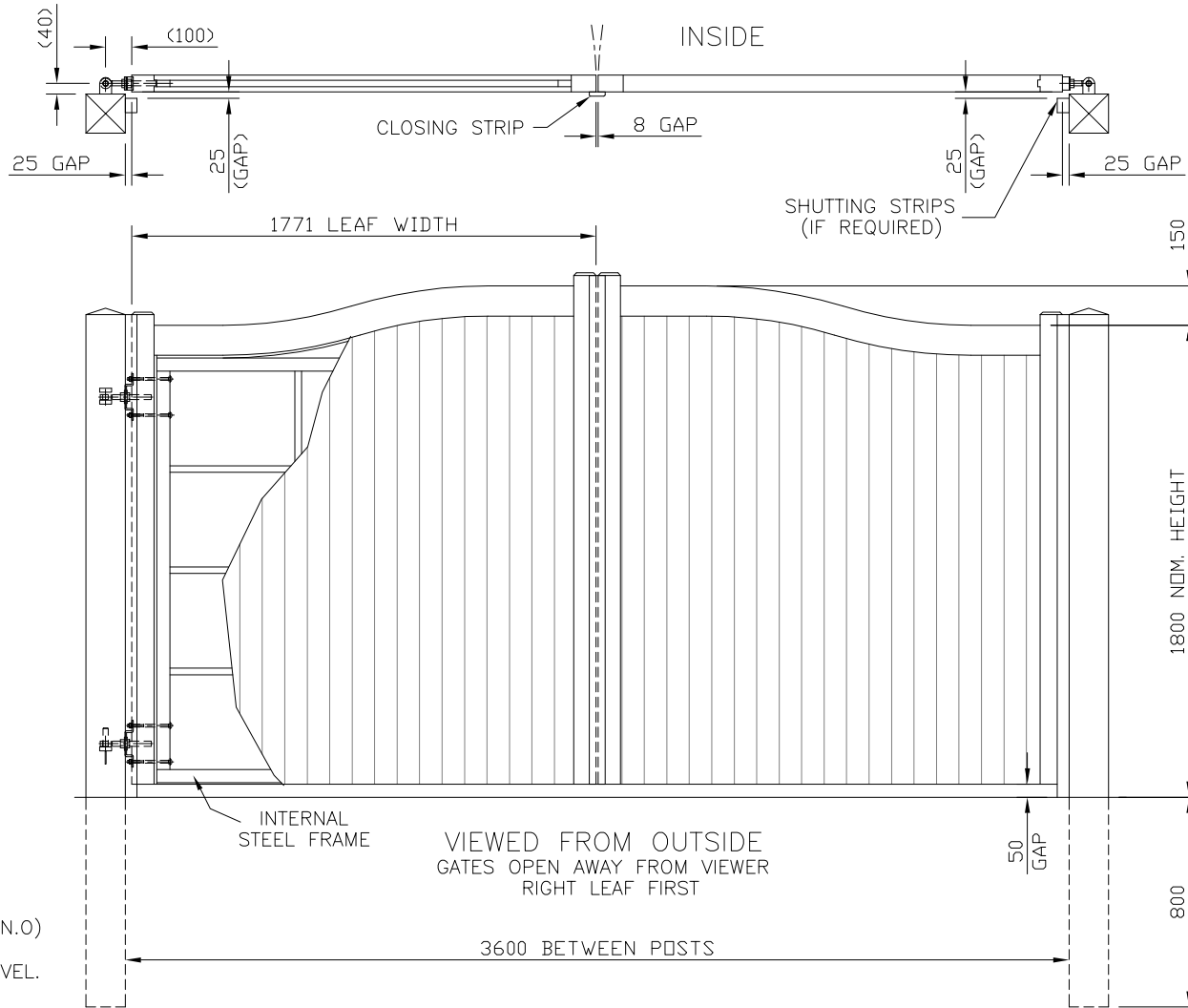


DO NOT SCALE – IF IN DOUBT ASK



GATES CAN BE SUPPLIED WITH OPTIONAL FITTINGS PACK, WHICH INCLUDES:
 RING LATCH
 DROPBOLTS + RECEIVERS
 STOP POSTS + CABIN HOOKS
 CENTRE GATE STOP

NOTES.
 ALL DIMENSIONS ARE IN mm (U.N.O)
 GAP UNDERNEATH GATES IS BASED UPON THE SITE BEING LEVEL.

Materials.
 GATE POSTS – 150 x 150 x 4 SHS

Finish.
 GALVANISED TO BS EN ISO 1461:1999
 TIMBER: JAKCURED
 POWDER COATED POSTS: IF REQUIRED

JACKSONS RESERVE THE RIGHT TO CHANGE THE STANDARD DESIGN TO IMPROVE THE PRODUCT AT ANY TIME

Jacksons FINE FENCING
 Stowting Common
 Near Ashford,
 KENT. TN25 6BN
 Telephone : 01233 750393
 Fax: 01233 750403
 Int. Tel : +44 (0)1233 750393

④	15/12/09	S/STRIP GAP NOW 25 mm
③	02/09/09	CGS/TEXT
②	19/01/07	BOTTOM HINGE
①	13/06/06	HINGE WASHER PLATES
⑥	31/05/06	ORIGINAL ISSUE

Drawn	WB	TITLE SALES DRAWING FOR HYTHE STOCK	
Date	31/05/06	1.8m HIGH x 3.6m WIDE COURTYARD GATES	
Checked		CUSTOMER	Drawing No.
Size	A3	STOCK CODE (278000)	06 J7/02177
Scale	1:20 u.o.s	ACK No.	Sheet 2 of 14

This Drawing Is The Property Of H.S. Jackson & Son (Fencing) Ltd.
 And May Not Be Copied Or Reproduced In Any Way Without Prior Written Permission.