

DO NOT SCALE – IF IN DOUBT ASK

JACKSONS RESERVE THE RIGHT TO CHANGE THE STANDARD DESIGN TO IMPROVE THE PRODUCT AT ANY TIME

NOTES.

ALL DIMENSIONS ARE IN mm (U.N.O)
GAP UNDERNEATH GATES IS BASED UPON THE SITE BEING LEVEL.

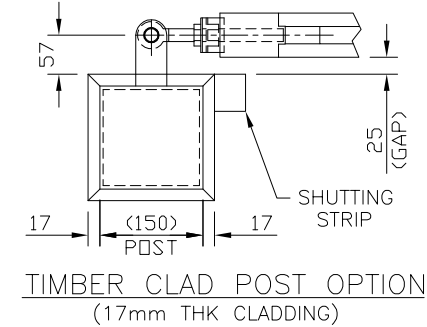
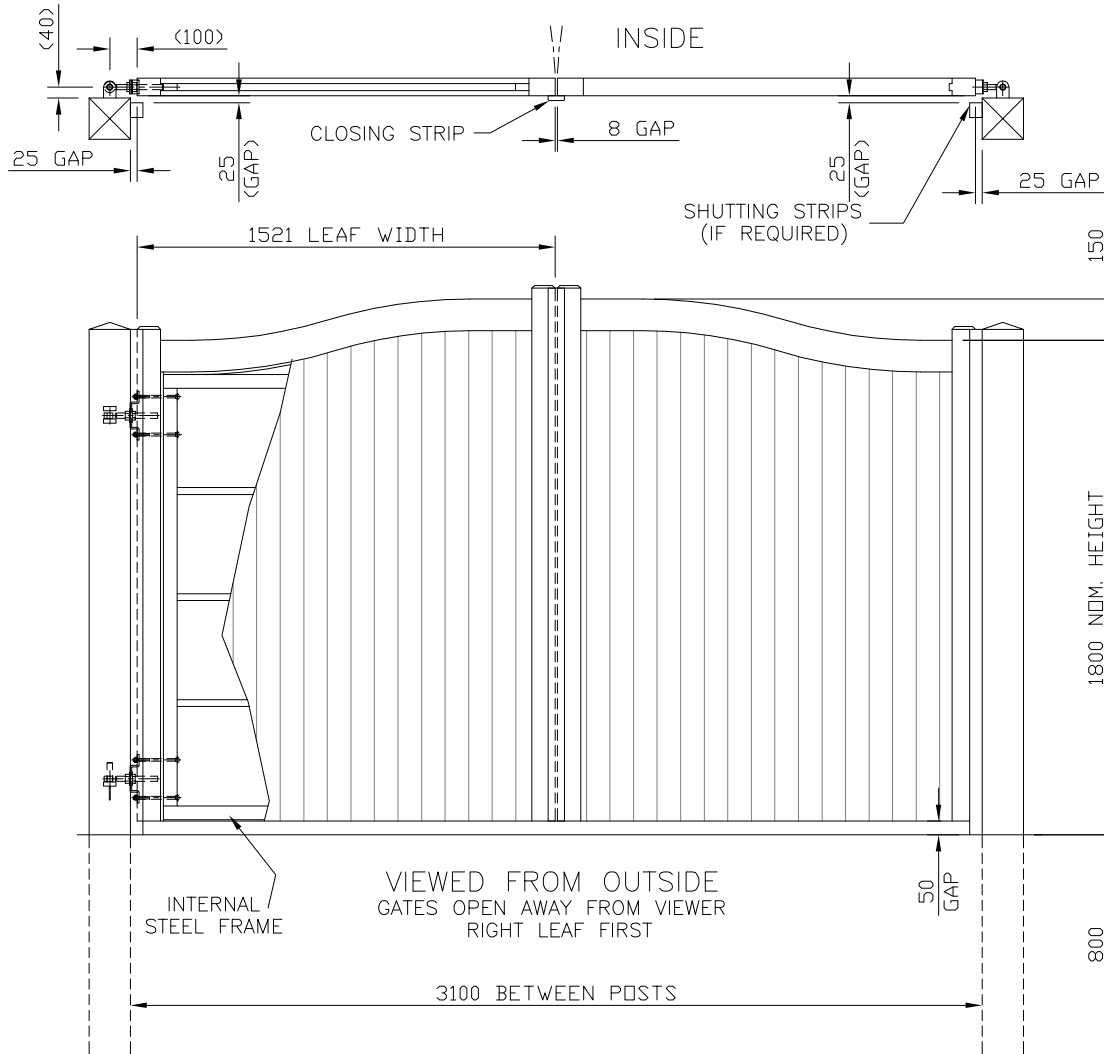
GATES CAN BE SUPPLIED WITH OPTIONAL FITTINGS PACK, WHICH INCLUDES:
RING LATCH
DROPBOLTS + RECEIVERS
STOP POSTS + CABIN HOOKS
CENTRE GATE STOP

Materials.

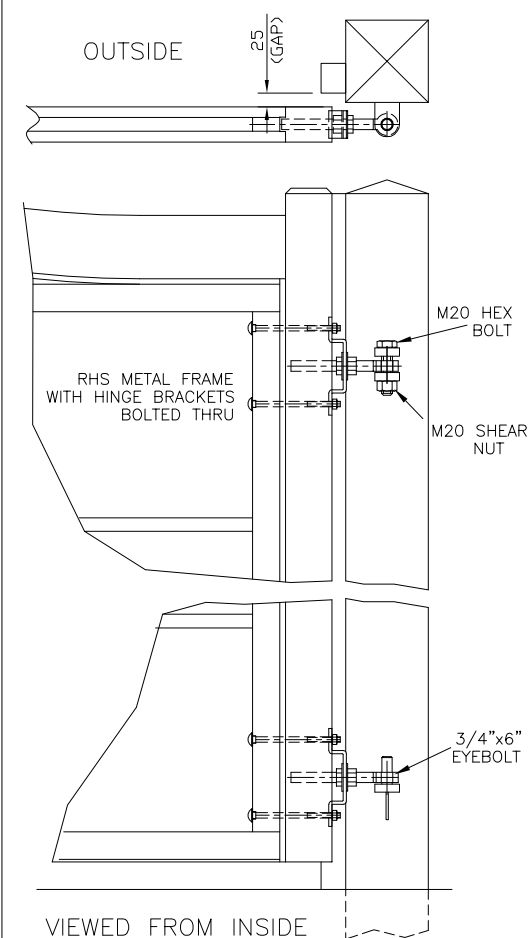
GATE POSTS – 150 x 150 x 4 SHS

Finish.

GALVANISED TO BS EN ISO 1461:1999
TIMBER: JAKCURED
POWDER COATED POSTS: IF REQUIRED



TIMBER CLAD POST OPTION
(17mm THK CLADDING)



Jacksons
FINE FENCING

Stowting Common
Near Ashford,
KENT. TN25 6BN
Telephone : 01233 750393
Fax: 01233 750403
Int. Tel : +44 (0)1233 750393

② 15/12/09 S/STRIP GAP NOW 25mm
① 02/09/09 CGS/TEXT
① 25/01/07 ORIGINAL ISSUE

Drawn WB
Date 25/01/07
Checked
Size A3 Scale 1:20 u.o.s

TITLE SALES DRAWING FOR HYTHE STOCK
1.8m HIGH x 3.1m WIDE COURTYARD GATES
CUSTOMER
ACK No.
Drawing No.
06 J7/02177
Sheet 1A of 14