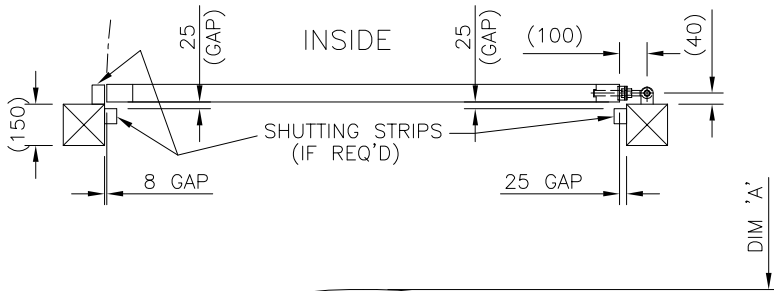
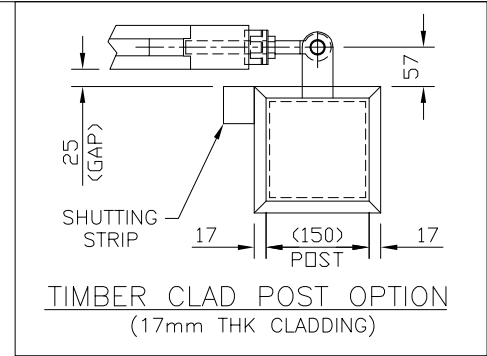
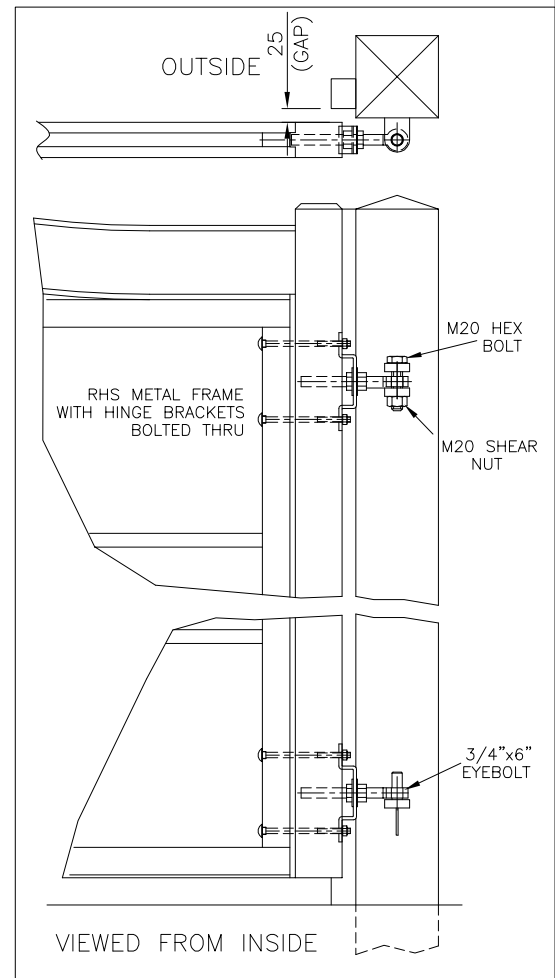
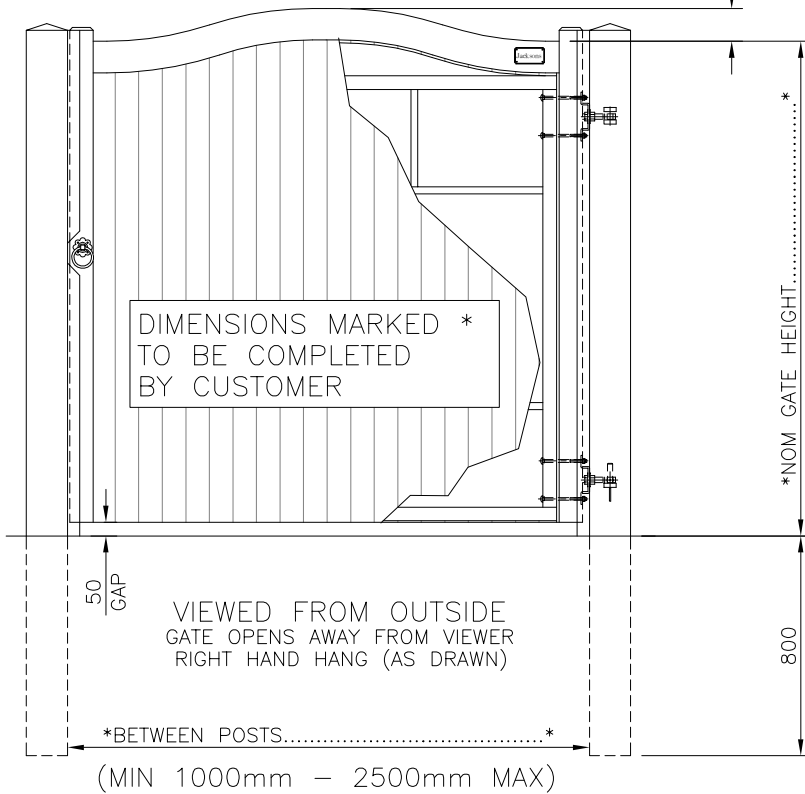


CUSTOMER NAME: _____
 ACK No: _____
 SALESMAN: _____
 Left or Right Hand Hanging: _____
 SPECIAL INSTRUCTIONS: _____



CURVED RAIL HEIGHT RANGE		DIM 'A'
BETWEEN POSTS		
FROM 1000mm TO 1299mm		50 mm
FROM 1300mm TO 1599mm		80 mm
FROM 1600mm TO 2500mm		120 mm



NOTES.

ALL DIMENSIONS ARE IN mm (U.N.O)
 GAP UNDERNEATH GATES IS BASED UPON THE SITE BEING LEVEL.

Materials.

GATE POSTS - 150 x 150 x 4 RHS

Finish.

GALVANISED TO BS EN ISO 1461:1999
 TIMBER: JAKCURED

JACKSONS RESERVE THE RIGHT TO CHANGE THE STANDARD DESIGN TO IMPROVE THE PRODUCT AT ANY TIME

GATES CAN BE SUPPLIED WITH OPTIONAL FITTINGS PACK, WHICH INCLUDES:

- RING LATCH
- DROPBOLT + RECEIVER
- STOP POST + CABIN HOOK

Drawn WB	Checked	⑥ 14/12/09	S/Strip gap to 25
Date 24/11/05	Size A3	⑤ 02/09/09	TEXT
	Scale NTS U.O.S	④ 19/01/07	BOTTOM HINGE

DO NOT SCALE - IF IN DOUBT ASK

Jacksons
FINE FENCING

Stowting Common, Near Ashford,
 KENT. TN25 6BN
 Telephone : 01233 750393
 Fax: 01233 750403
 Int. Tel : +44 (0)1233 750393

TITLE SALES DRAWING FOR HYHTE
 SINGLE COURTYARD GATES

CUSTOMER

Drawing No.

05 J7/02167

ACK No.

Sheet 1 of 2

This Drawing Is The Property Of H.S. Jackson & Son (Fencing) Ltd.
 And May Not Be Copied Or Reproduced In Any Way Without Prior Written Permission.