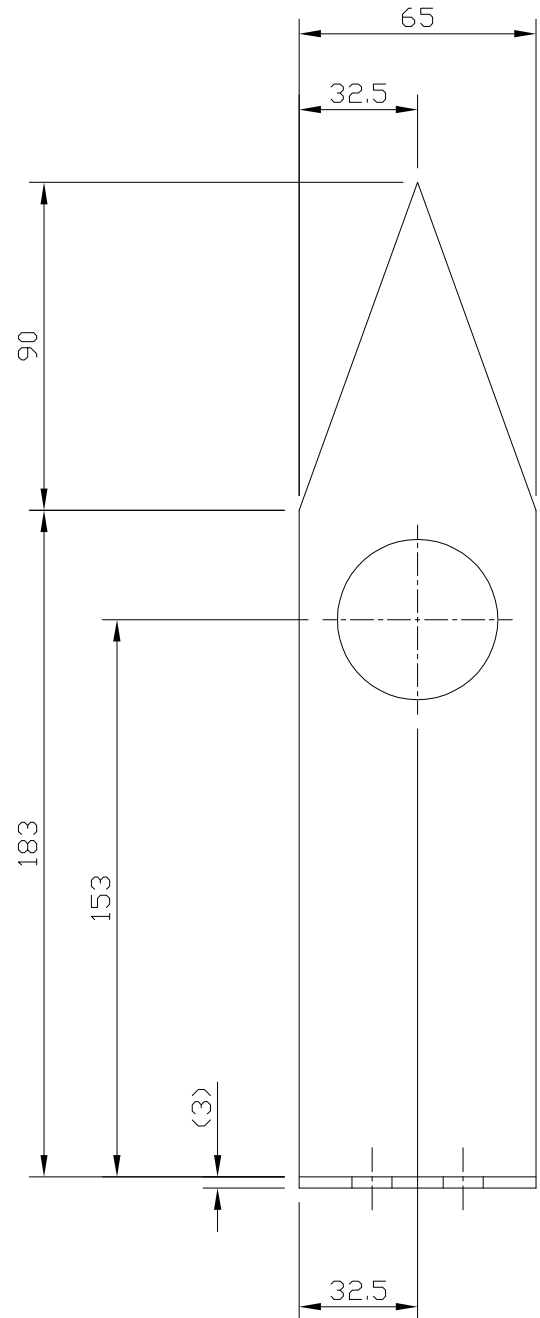
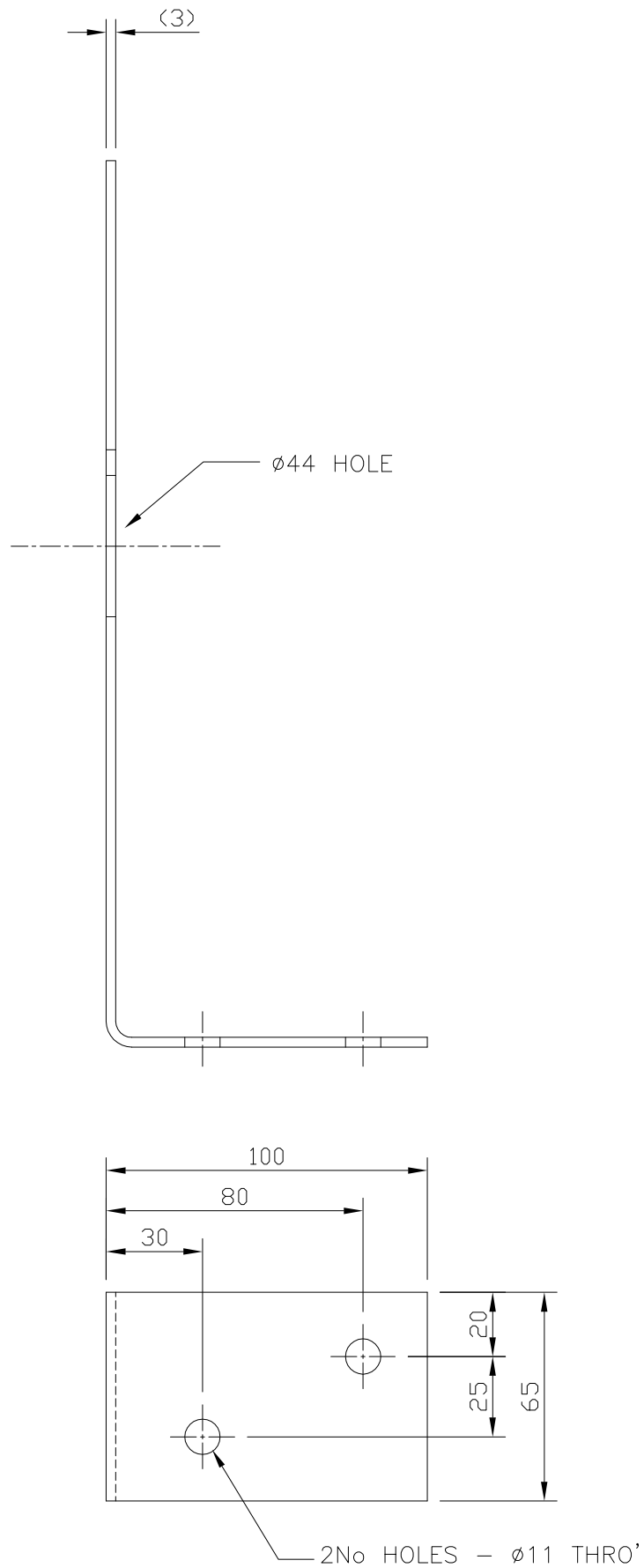


CODE: 010967



NOTES

ALL DIMENSIONS ARE IN mm

CUTTING LIST

65 x 3 M.S FLAT x 375 Lg - No.

Drawn Chris J	Checked		20/07/11 Original Issue
Date 20/07/11	Size A3	Scale 1:2 U.O.S	

DO NOT SCALE - IF IN DOUBT ASK

Jacksons
FINE FENCING

Stowting Common, Near Ashford,
KENT. TN25 6BN
Telephone : 01233 750393
Fax: 01233 750403
Int. Tel : +44 (0)1233 750393

TITLE COBRA SPIKE ROTARY Intermediate Bracket

CUSTOMER CODE: 010967

Drawing No. J4/04153

This Drawing Is The Property Of H.S. Jackson & Son (Fencing) Ltd.
And May Not Be Copied Or Reproduced In Any Way Without Prior Written Permission.

ACK No.