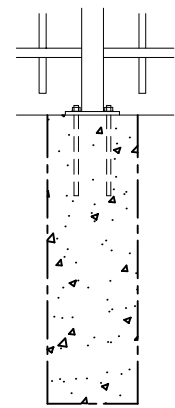
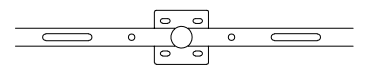


150 x 10 thk x 150
BASEPLATE DRILLED FOR
4 No. M12 CHEMICAL FIXINGS



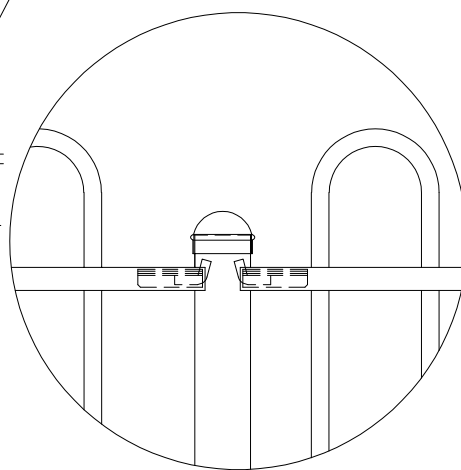
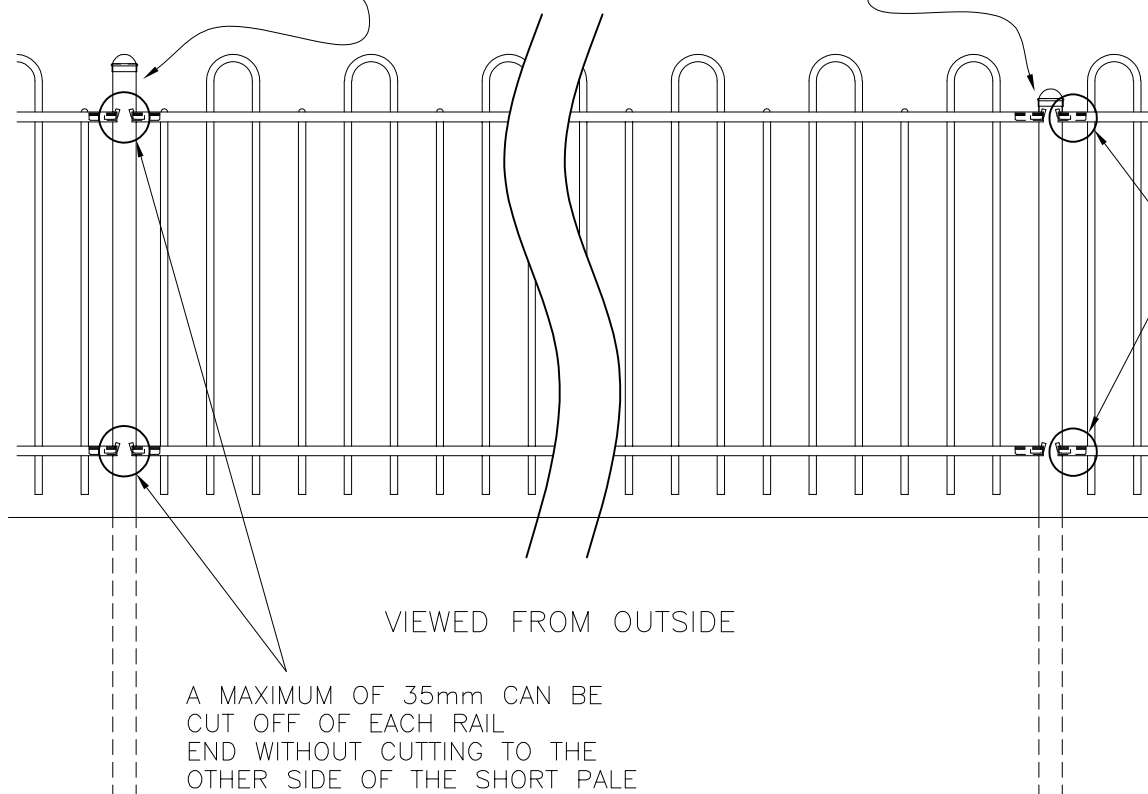
BASEPLATED POSTS
(OPTIONAL)

NOTE: IF MORE THAN 35mm
IS CUT OFF OF THE RAIL END
THE INTERNAL CONNECTOR
MAY NOT SLIDE FULLY BACK
INTO THE RAIL

WHERE SHORT PALES ARE
ADJACENT TO THE POST
THE POST CAN BE INSTALLED
AT FULL HEIGHT AS SHOWN

CUTBACK INSTALLATION

WHERE BOW PALES ARE
ADJACENT TO A POST
THE POST MUST BE CUT DOWN
BY 90mm TO AVOID A NECK TRAP



NOTES.

ALL DIMENSIONS ARE IN mm (U.N.O)
GAP UNDERNEATH FENCING IS
BASED UPON THE SITE BEING LEVEL.

Materials.

POSTS - $\phi 60$ x 2.25 CHS
RAILS - 50 x 25 x 2 RHS
PALES - $\phi 19$ x 1.5 CHS

Finish.

GALVANISED TO BS EN ISO 1461:1999
POWDER COATED: IF REQUIRED

THIS PRODUCT, IF INSTALLED AS SHOWN,
CONFORMS TO BS EN 1176-1 : 1998

Drawn NM	Checked		16/01/18 Baseplated Option 18/06/10 New Border
Date NM	Size A3	Scale NTS U.O.S	

DO NOT SCALE - IF IN DOUBT ASK

Jacksons
FINE FENCING

Stowting Common, Near Ashford,
KENT. TN25 6BN
Telephone : 01233 750393
Fax: 01233 750403
Int. Tel : +44 (0)1233 750393

TITLE Standard Panel and Gate Details For
Anti - Neck Trap Bowtop for Playgrounds

CUSTOMER

Drawing No.

04 J8/04018

ACK No.

Sheet 1 of 3