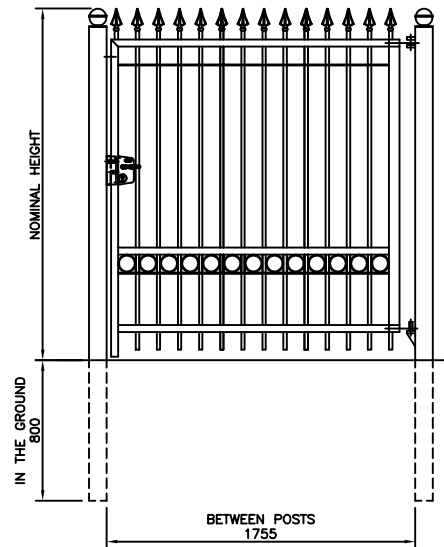
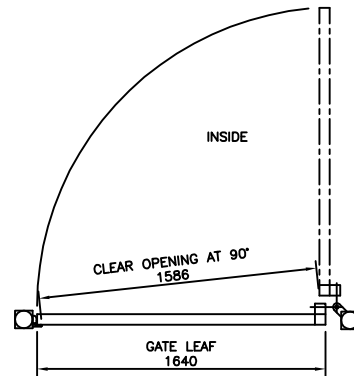


DO NOT SCALE – IF IN DOUBT ASK



VIEWED FROM OUTSIDE
GATES OPEN AWAY FROM VIEWER

NOTES

ALL DIMENSIONS ARE IN mm (U.N.O)
ACTUAL CLEAR OPENING SIZES SHOWN.
IF GATES OPEN TO 180° THEN ADD
75mm TO CLEAR OPENING DIMENSION
(BETWEEN POST DIMENSION REMAINS
THE SAME)
DUE TO THE LIMITATIONS OF THE
ORNAMENTAL RINGS THE BETWEEN
POST DIMENSIONS SHOWN ARE
THE ONLY ONES AVAILABLE -
STANDARD GATES AVAILABLE -
1.5M, 2.0M & 2.5M HIGH

Material

POSTS - 100 x 100 SHS
RAILS - 60 x 40 RHS
& 60 x 6 M.S. FLAT
SLAM STILE - 60 x 40 RHS
HANG STILE - 60 x 60 SHS
PALES - Ø19 CHS
RINGS - Ø100
FINIALS - ARROWHEAD

Finish

GALVANISED TO BS729
POWDER COATING AVAILABLE

Jacksons
FINE FENCING

Stowting Common
Near Ashford,
KENT. TN25 6BN
Telephone : 01233 750393
Fax: 01233 750403
Int. Tel : +44 (0)1233 750393

This Drawing Is The Property Of H.S. Jackson & Son (Fencing) Ltd.
And May Not Be Copied Or Reproduced In Any Way Without Prior Written Permission.

20/11/06 Original Issue

Drawn Di Day

Date 20/11/06

Checked

Size
A4

Scale 1:30
U.O.S

TITLE

Type 1 1.75WD

CUSTOMER

ACK No.

Drawing No.