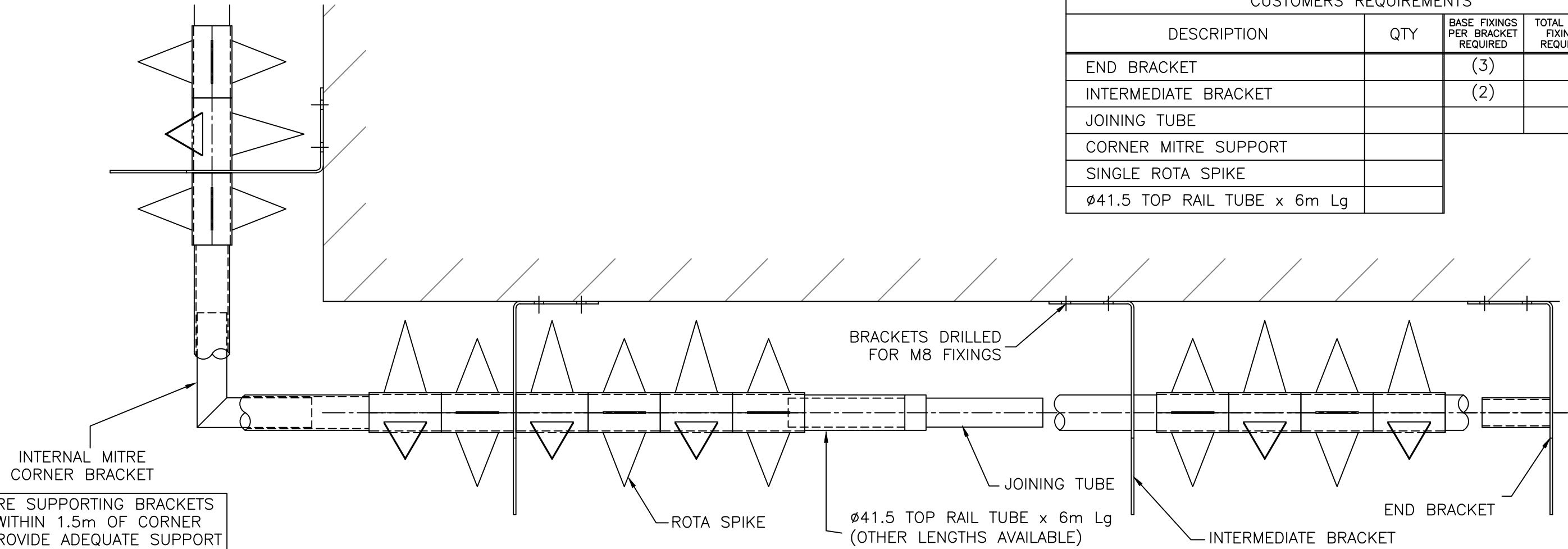
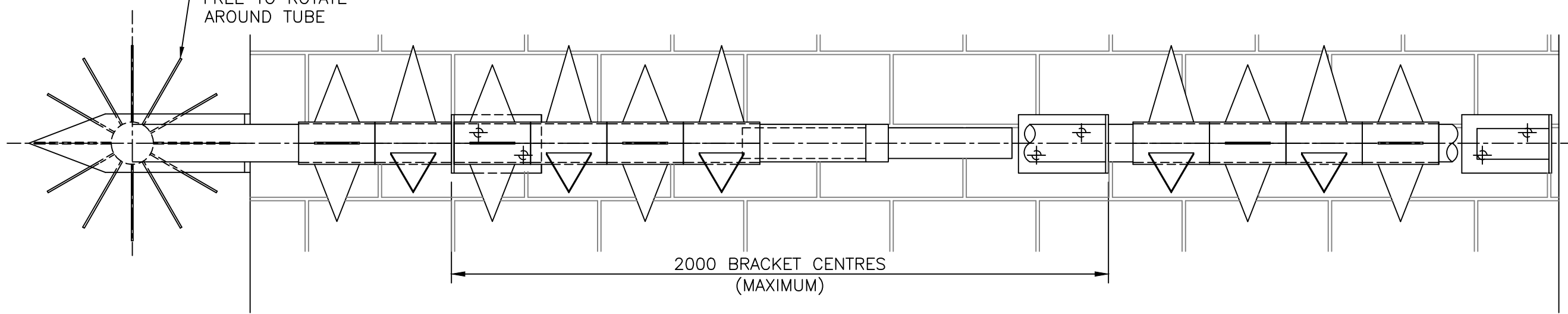


CUSTOMERS REQUIREMENTS			
DESCRIPTION	QTY	BASE FIXINGS PER BRACKET REQUIRED	TOTAL BASE FIXINGS REQUIRED
END BRACKET		(3)	
INTERMEDIATE BRACKET		(2)	
JOINING TUBE			
CORNER MITRE SUPPORT			
SINGLE ROTA SPIKE			
ø41.5 TOP RAIL TUBE x 6m Lg			



ENSURE SUPPORTING BRACKETS ARE WITHIN 1.5m OF CORNER TO PROVIDE ADEQUATE SUPPORT

ROTA SPIKES ARE FREE TO ROTATE AROUND TUBE



NOTES.

ALL DIMENSIONS ARE IN mm (UNO)
 FINISH.
 GALVANISED TO BS EN ISO 1461
 POWDER COATED: IF REQUESTED

STANDARD ROTASPIKE – MOUNTED TO WALL FACE

Jacksons Fencing

Stowting Common, Near Ashford,
 Kent. TN25 6BN
 Telephone: 01233 750393
 Fax: 01233 750403
 www.jacksons-fencing.co.uk
 www.jacksons-security.co.uk

DO NOT SCALE – IF IN DOUBT ASK

- ③ 13/03/2020 NEW BORDER + NOTES
- ② 28/03/19 Top Rail Updated
- ① 02/12/15 Rota spikes updated
- ① 18/06/08 Original Issue

Drawn SL
 Date 18/06/2008
 Checked CJ
 Size A3
 Scale 1:5 U.O.S

TITLE SALE DRAWING
 STANDARD ROTASPIKE – WALL FACE MOUNTED
 CUSTOMER
 Drawing No. J4/04007
 Sheet 2
 ACK No.