

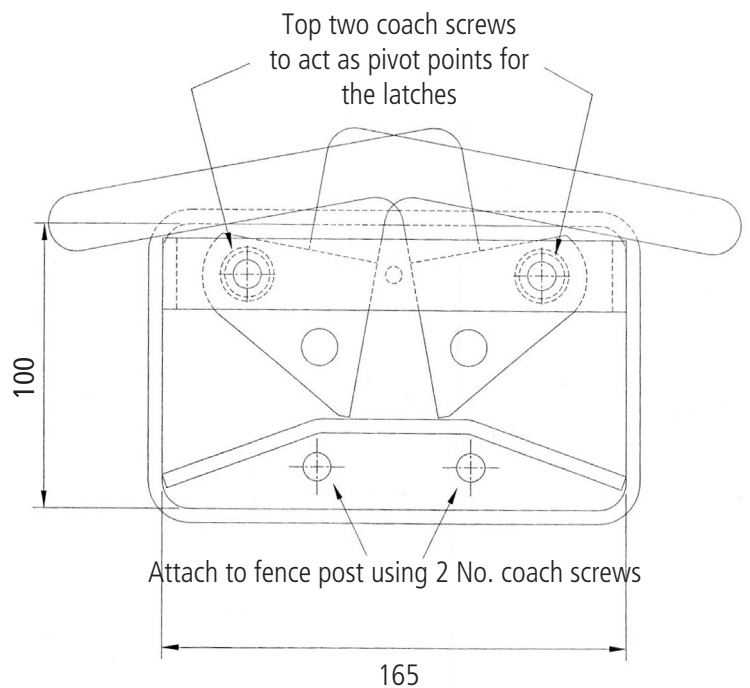
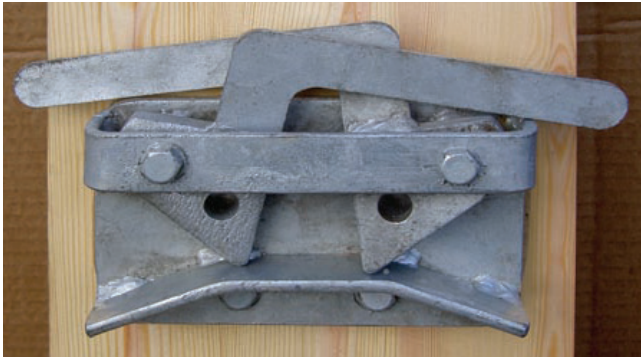
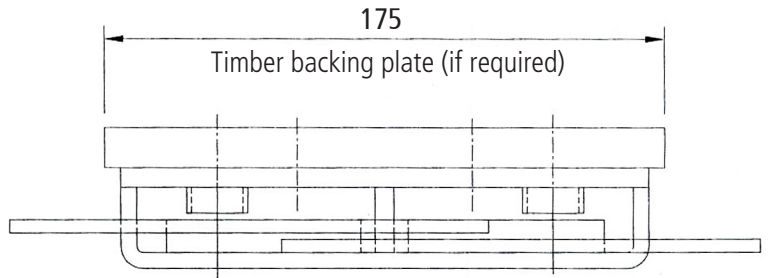
## 2 Way Latch Instructions.

### Materials/Screws:

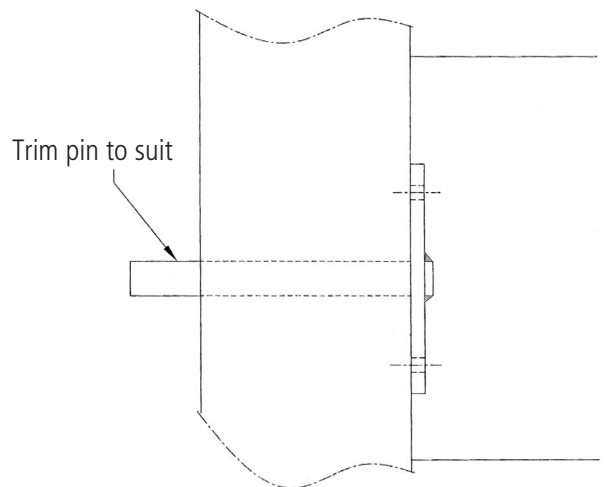
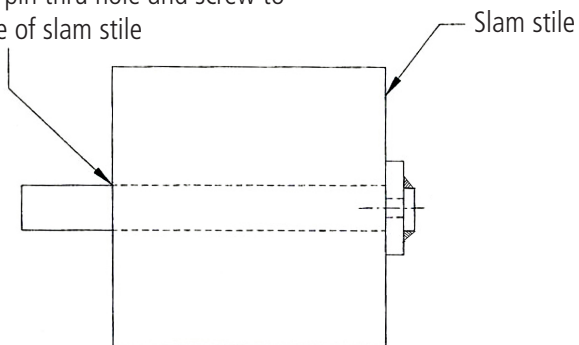
2 No. M8 x 100 coach screws

2 No. M8 x 65 coach screws

2 No. M4 x 40 round head screws



Drill hole thru slam stile and then install latch pin thru hole and screw to inside of slam stile



Head Office Stowting Common Ashford Kent TN25 6BN  
T: +44 (0) 1233 750393 F: +44 (0) 1233 750403  
www.jacksons-fencing.co.uk info@jacksons-fencing.co.uk

# Jacksons Fencing