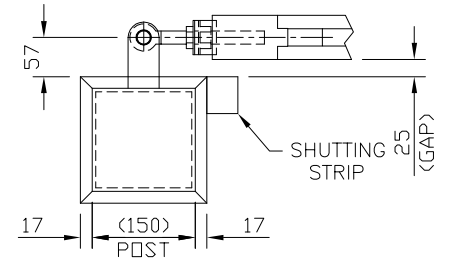


CUSTOMER NAME: _____
 ACK No: _____
 SALESMAN: _____
 L/H or R/H TO OPEN FIRST: _____
 SPECIAL INSTRUCTIONS: _____

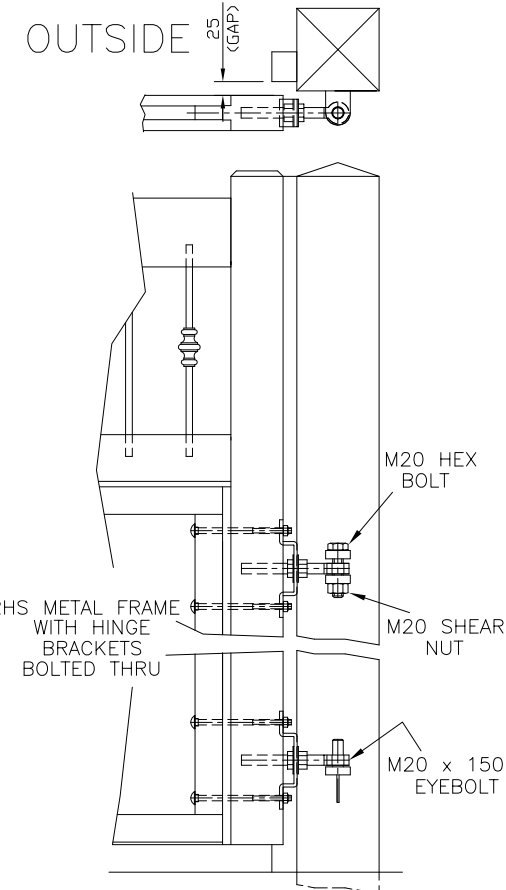
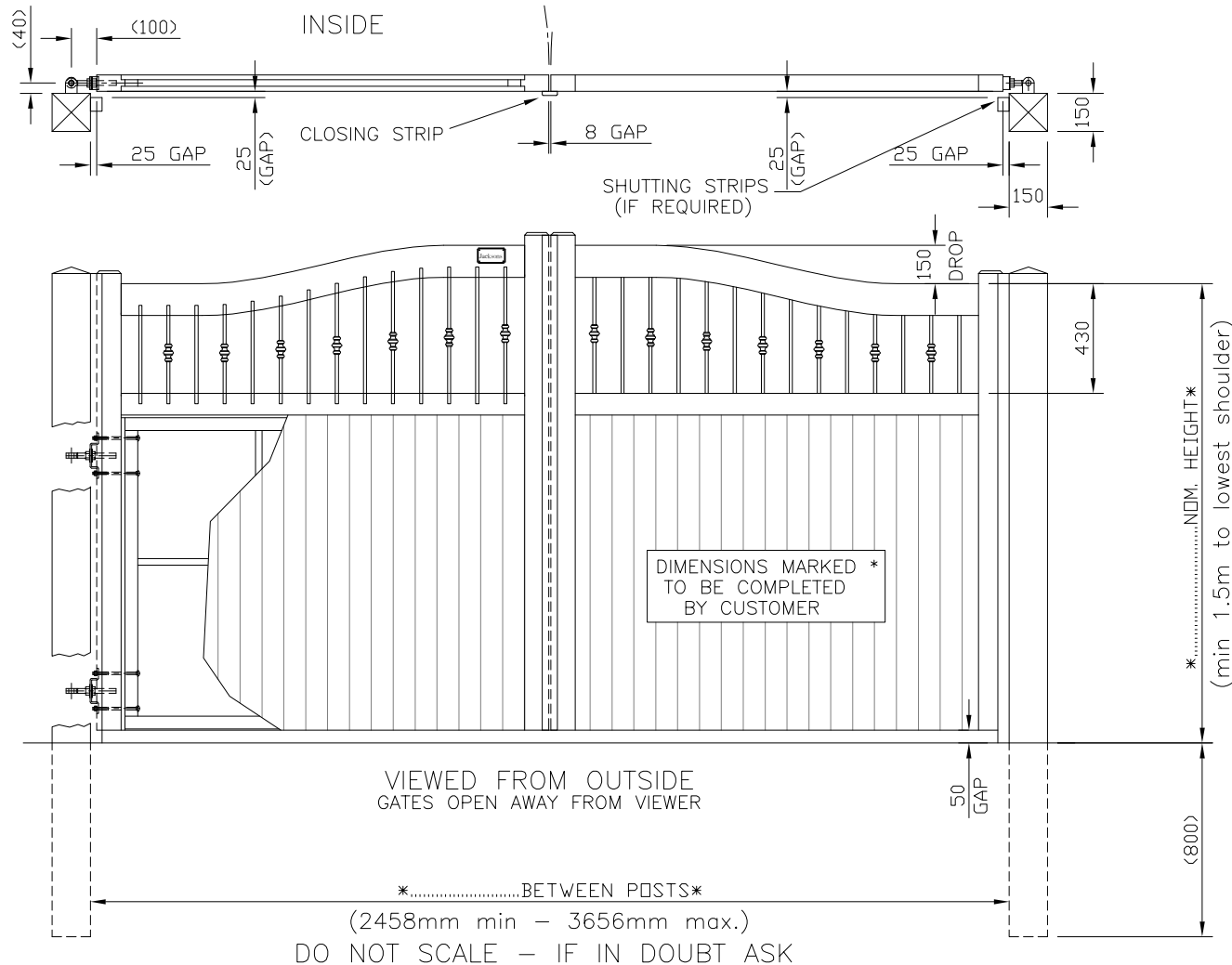
NOTES.
 ALL DIMENSIONS ARE IN mm (U.N.O)
 GAP UNDERNEATH GATES IS
 BASED UPON THE SITE BEING LEVEL.
Materials.
 GATE POSTS - 150 x 150 x 4 RHS
Finish.
 GALVANISED TO BS EN ISO 1461:1999
 TIMBER: JAKCURED

GATES CAN BE SUPPLIED
 WITH OPTIONAL FITTINGS PACK,
 WHICH INCLUDES:
 RING LATCH
 DROPBOLTS + RECEIVERS
 STOP POSTS + CABIN HOOKS
 CENTRE GATE STOP

JACKSONS RESERVE THE RIGHT TO
 CHANGE THE STANDARD DESIGN TO
 IMPROVE THE PRODUCT AT ANY TIME



TIMBER CLAD POST OPTION
 (17mm THK CLADDING)



Jacksons
FINE FENCING

Stowting Common
 Near Ashford,
 KENT. TN25 6BN
 Telephone : 01233 750393
 Fax: 01233 750403
 Int. Tel : +44 (0)1233 750393

⑧	14/12/09	S/STRIP GAP CHANGED TO 25
⑦	12/11/09	STILE & REBATE WIDTHS
⑥	02/09/09	CGS/TEXT
⑤	19/01/07	BOTTOM HINGE
④	13/06/06	HINGE WASHER PLATES
③	03/12/05	UPDATED

Drawn	WB
Date	28/09/04
Checked	
Size	A3
Scale	N.T.S U.O.S

TITLE SALES DRAWING FOR HYTHE COURTYARD
 GATES WITH TOPPER RAILING INFILL

CUSTOMER	Drawing No. 04 J7/02156
ACK No.	Sheet 1 of 3