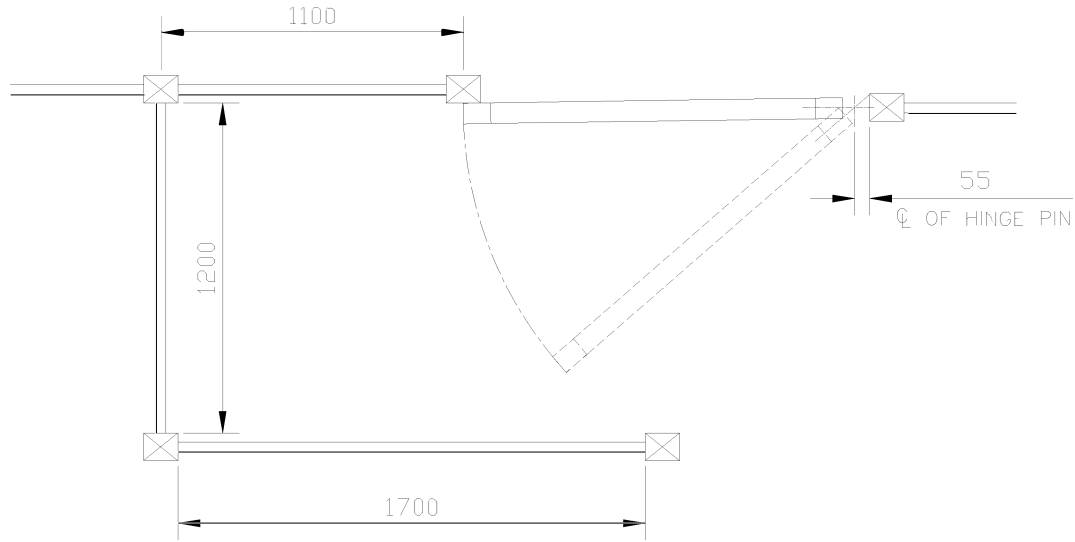


DO NOT SCALE - IF IN DOUBT ASK

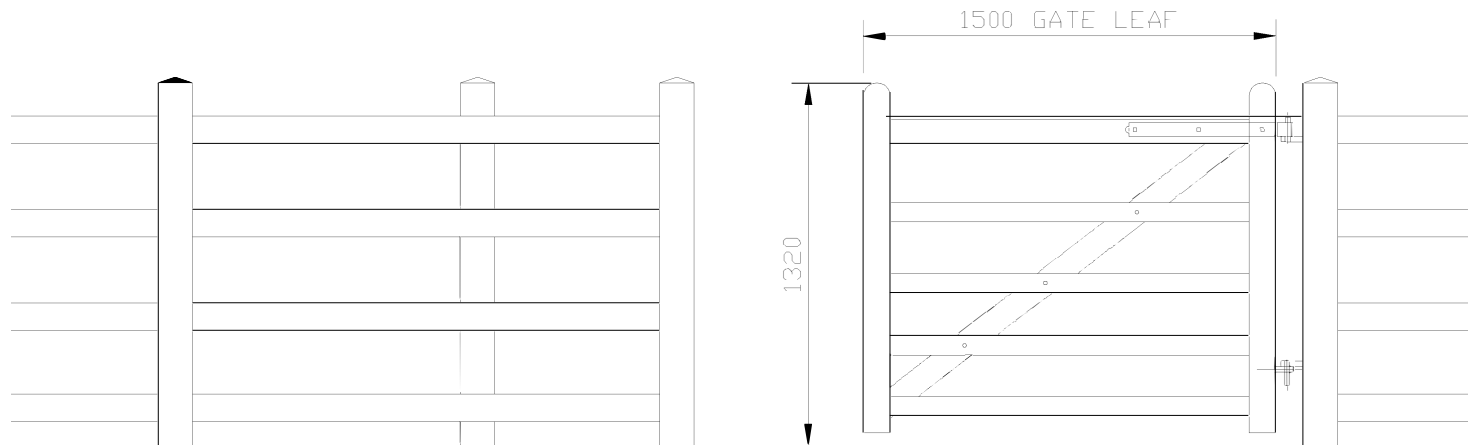


NOTES.

ALL DIMENSION ARE IN mm (U.N.O)
WE RECOMMEND ALL POSTS TO BE SET
IN CONCRETE.

MATERIALS.

POSTS: 125 x 100 JAKCURED SOFTWOOD, SHAPED 4 WAYS
FRAME RAILS: 100 x 36 JAKCURED SOFTWOOD
HANG STILE: 125 x 75 JAKCURED
SLAM STILE: 75 x 75 JAKCURED
TOP RAIL: 100 x 75 JAKCURED
LOWER RAILS & BRACES: 75 x 25 JAKCURED



GATE LEAF AND FRAME SEPARATED FOR CLARITY.

Jacksons
FINE FENCING

Stowting Common
Near Ashford,
KENT. TN25 6BN
Telephone : 01233 750393
Fax: 01233 750403
Int. Tel : +44 (0)1233 750393

This Drawing Is The Property Of H.S. Jackson & Son (Fencing) Ltd.
And May Not Be Copied Or Reproduced In Any Way Without Prior Written Permission.

24/04/07 Original Issue

Drawn Di Day

Date 24/04/07

Checked

Size A3 Scale 1:20 U.O.S

TITLE

Mobility Timber
Kissing Gate

CUSTOMER

ACK No.

Drawing No.

J7/02182
1 of 1